

Veroflo



Veroflo Fabricated Steel Fittings

for Potable Water, Irrigation, Mining and Sewerage Applications



FABRICATED STEEL PIPE FITTINGS

Content

| | |
|--|---------|
| VEROFLO Specifications | 1 |
| Why VEROFLO Fabricated Fittings? | 2 |
| The VEROFLO Difference | 3 |
| VEROFLO Bends | 4 - 7 |
| VEROFLO Lateral Tees | 8 |
| VEROFLO Sweep Tees | 9 |
| VEROFLO Tees | 10 - 14 |
| VEROFLO Reducers | 15 - 16 |
| VEROFLO Scour Tees | 17 |
| VEROFLO Shouldered Bends and Elbows | 18 |
| VEROFLO Shouldered Tees | 19 |
| VEROFLO Shouldered Laterals | 20 |
| VEROFLO Shouldered Adaptors and Reducers | 21 |

SPECIFICATIONS

VEROFLO's range of Steel and Stainless Steel Pipe Fittings encompasses both generic and custom made Fittings to connect all types of Piping. We supply Pipe Fittings to customers across a range of industries and countries, in both Fusion Bonded Epoxy coated Carbon Steel and high grade 304 or 316 Stainless Steel. Our offering provides unrivalled durability and is suitable for the most demanding applications. Every item is made by skilled staff and production workers at our Sebenza facility which is ISO 9001 and ISO 18001 certified.

We are an internationally trusted manufacturer and supplier to flagship infrastructure projects and, wherever high quality pipe fittings are required. In addition, to our standard ranges of fittings, our specialist team can manufacture any pipeline components and bespoke fittings as required.

We work to widely recognised standards including SANS, ASME, AWWA and EN and many more to ensure our pipe fittings provide functional leak free integration with any new or existing pipe network. We can fulfil orders of any size and, offer short lead times.

Specifications for Materials, Construction and Coatings

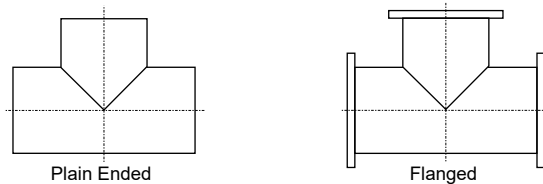
| | |
|---|---|
| Fitting Materials of Construction: | Carbon Steel SABS 1431 grade 300 and 350 WA or SANS 10025-2 grade SJ355. Alternatively Stainless Steel 304 and 316. |
| Coatings and Linings: | Fusion Bonded Epoxy to SANS 1217 - 300 microns as standard Hot Dipped Galvanised to SANS 121. Other coatings on request. |
| Manufacturing Specifications: | SANS 1476, SANS 15614-1, ASME B31.3, API 1104, ASME IX, and EN 10224. |

End Connection Options

Plain Ended Fittings and Flanged Fittings

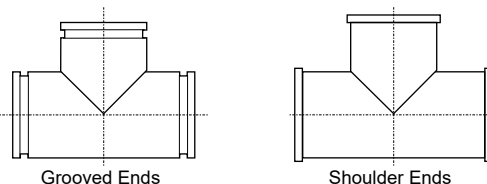
VEROFLO fittings are supplied as standard with Flanged ends to SANS 1123/3. Fittings with flanged ends to EN 1092, BS4504 or BS 10 are available on request.

Alternatively fittings can be supplied Plain Ended for use with couplings.



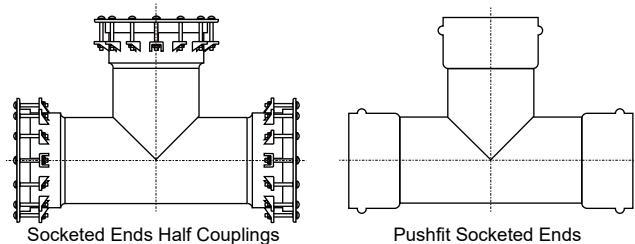
Grooved and Shouldered End Fittings

VEROFLO provides both Grooved and Shouldered end fittings to SANS 815 for use with Victaulic couplings.



Fittings with Socketed or Pushfit Sockets

VEROFLO provides fittings with Socketed Half Couplings for use with PVC, Ductile Iron and Steel Pipe. In addition, VEROFLO provides Pushfit Socketed fittings for specific use with PVC or Steel.

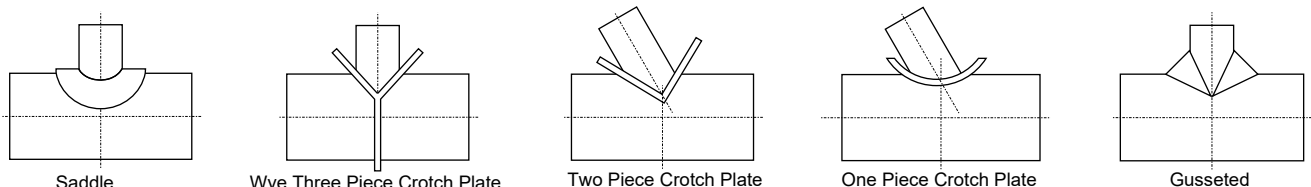


Combination Fittings

VEROFLO provides fittings that can incorporate any combination of end connections such as Flanged fittings with socketed branch ends.

High Pressure and Large Diameter Fittings

VEROFLO provides fittings for working pressures of up to PN64 as standard. We utilise the latest in software development to design appropriate Saddles, Crotch Plates and Gusseted fittings to suit the application.



WHY VEROFLO FABRICATED PIPE FITTINGS

VEROFLO Fabricated Fittings are manufactured with skill and precision to the latest specification or client's requirements. The combination of the inherent properties of the materials of construction, the specifications and VEROFLO's focus on quality ensures that our Fabricated Fittings have exceptional inherent properties that make it highly suitable for use with pressure pipe. Properties include:



Quality

VEROFLO produces quality fittings to the highest possible standards. This is obvious in the workmanship of the welds, in the quality of the coating and the materials of construction.

Every VEROFLO fitting is made with care and pride to meet the highest possible level of performance in any pipeline application.



Flexibility in Design

VEROFLO fittings come in a variety of jointing options from Plain Ended to Flanged and Socketed or, Shouldered for use with Victaulic couplings. This allows for a connection solution to virtually any piping application.

VEROFLO fittings are manufactured in sizes DN50 to DN1200 as standard and for pressure ratings of up to PN64. Fittings are offered in standard lengths as well as bespoke for specific applications.



The wide pressure range, end connection and coating options and short lead times for the VEROFLO fittings provides the engineer with flexibility in design and the contractor ease of installation.

High Performance

VEROFLO Steel Fittings have a high tensile strength, a high modulus of elasticity, elongation factor and yield strength. These factors give the fittings the ability to withstand severe stresses caused by shifting ground, heavy loads, water pressure and water hammer. VEROFLO Fittings in addition are highly resistant to cyclic failure making them favourable for use with all pipeline materials including Plastics pipelines.

Coatings

All VEROFLO Fittings regardless of size are fusion bonded epoxy (FBE) coated to 300 microns as standard.



Low Life Cycle Costing

VEROFLO Fittings have a low installation cost, provide maintenance free operation, have high flow capacities, are resistant to cathodic corrosion (dependant on coating) and a relatively low initial purchase price. All these factors combined ensure decades of a low life cycle costing.

Technical Sales and After sales Support

VEROFLO Fittings are supported by a highly experienced design and sales team that can provide the most appropriate and cost effective solutions for any design and installation. Try us!

THE VEROFLO DIFFERENCE

Quality is produced by intent and not through inspection. Every VEROFLO fitting is designed and manufactured for maximum performance at the point of application. Our in-house quality control and standards exceed the general market requirements. A VEROFLO fitting is distinguished from other fittings by the following features:

Non Destructive Testing

Each fitting manufactured undergoes a non destructive test.

Fit for Purpose Design

All Socketed Fittings have a longer than standard socket for ease of fit.

Our lugs are full brackets that can be torqued without shearing

All rubber gaskets are generously sized and ribbed to ensure driptight sealing under all conditions

Workmanship

VEROFLO's most striking difference is the workmanship of the fittings.

This is obvious from the quality of the welds, the finish of the coating and the craft of the skilled staff in the alignment of each joined component

Coating

FBE coating to 300 microns as standard FBE is a proven high performance coating that is chemically inert and impact resistant.

Above ground fittings have a UV resistant overcoat.

Other coatings or full Stainless Steel 304 or 316 construction is available upon request

Traceability of Materials

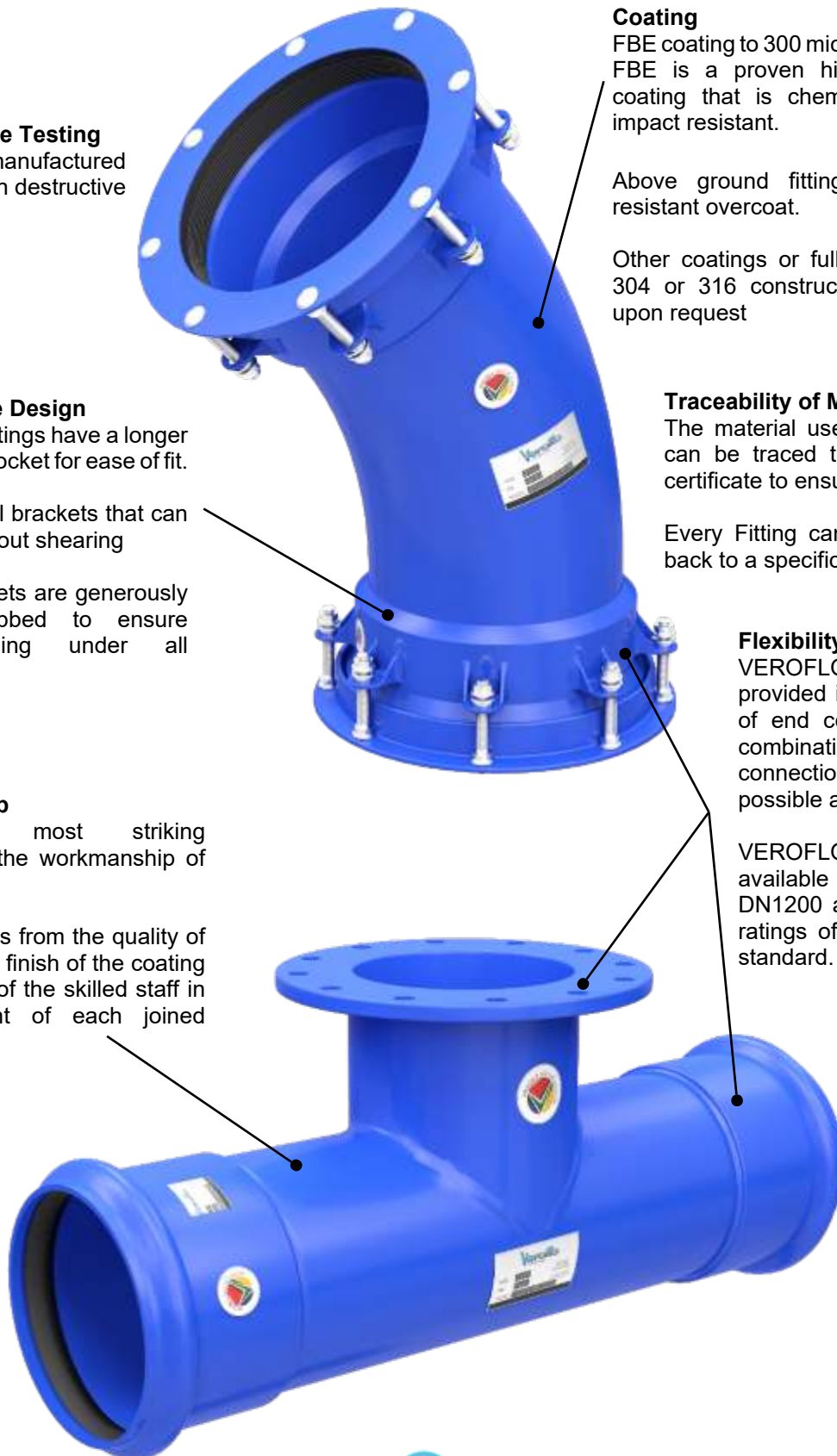
The material used in each fitting can be traced to a specific mill certificate to ensure quality.

Every Fitting can also be traced back to a specific batch.

Flexibility in Design

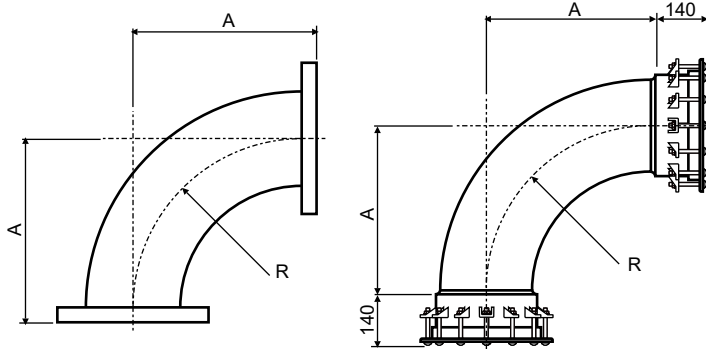
VEROFLO fittings can be provided in a wide variety of end connections or a combination of end connections to suit every possible application.

VEROFLO fittings are also available in sizes DN50 to DN1200 and for pressure ratings of up to PN64 as standard.



VEROFLO PULLED 3D AND 5D BENDS

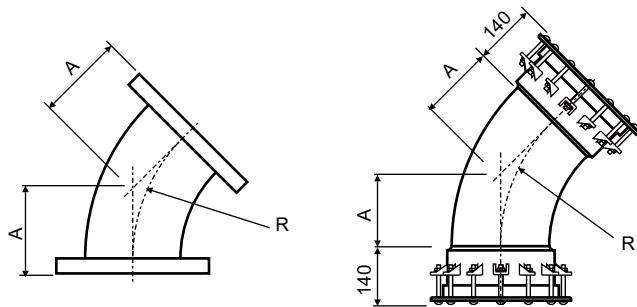
90° Pulled Bend 3D and 5D



Unit mm

| Nominal Size DN | Pipe OD | A 3D | R Radius 3D | A 5D | R Radius 5D |
|-----------------|---------|------|-------------|------|-------------|
| 50 | 60.3 | 160 | 152 | 303 | 295 |
| 80 | 88.9 | 240 | 230 | 455 | 445 |
| 100 | 114,3 | 315 | 305 | 518 | 508 |
| 150 | 168.3 | 467 | 457 | 850 | 840 |
| 200 | 219.1 | 623 | 610 | 1026 | 1016 |
| 250 | 273,1 | 773 | 762 | 1313 | 1300 |
| 300 | 323.9 | 925 | 915 | 1553 | 1540 |
| 350 | 355.6 | 1081 | 1065 | 1716 | 1700 |
| 400 | 406.4 | 1235 | 1219 | 1956 | 1940 |
| 450 | 457 | 1388 | 1372 | 2260 | 2244 |
| 500 | 508 | 1540 | 1524 | 2506 | 2490 |

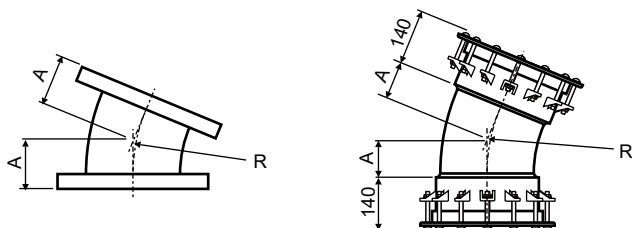
45° Pulled Bend 3D and 5D



Unit mm

| Nominal Size DN | Pipe OD | A 3D | R Radius 3D | A 5D | R Radius 5D |
|-----------------|---------|------|-------------|------|-------------|
| 50 | 60.3 | 68 | 152 | 128 | 295 |
| 80 | 88.9 | 100 | 230 | 192 | 445 |
| 100 | 114,3 | 135 | 305 | 218 | 508 |
| 150 | 168.3 | 197 | 457 | 357 | 840 |
| 200 | 219.1 | 262 | 610 | 431 | 1016 |
| 250 | 273,1 | 325 | 762 | 552 | 1300 |
| 300 | 323.9 | 389 | 915 | 653 | 1540 |
| 350 | 355.6 | 454 | 1065 | 721 | 1700 |
| 400 | 406.4 | 519 | 1219 | 822 | 1940 |
| 450 | 457 | 583 | 1372 | 950 | 2244 |
| 500 | 508 | 647 | 1524 | 1052 | 2490 |

22.5° Pulled Bend 3D and 5D

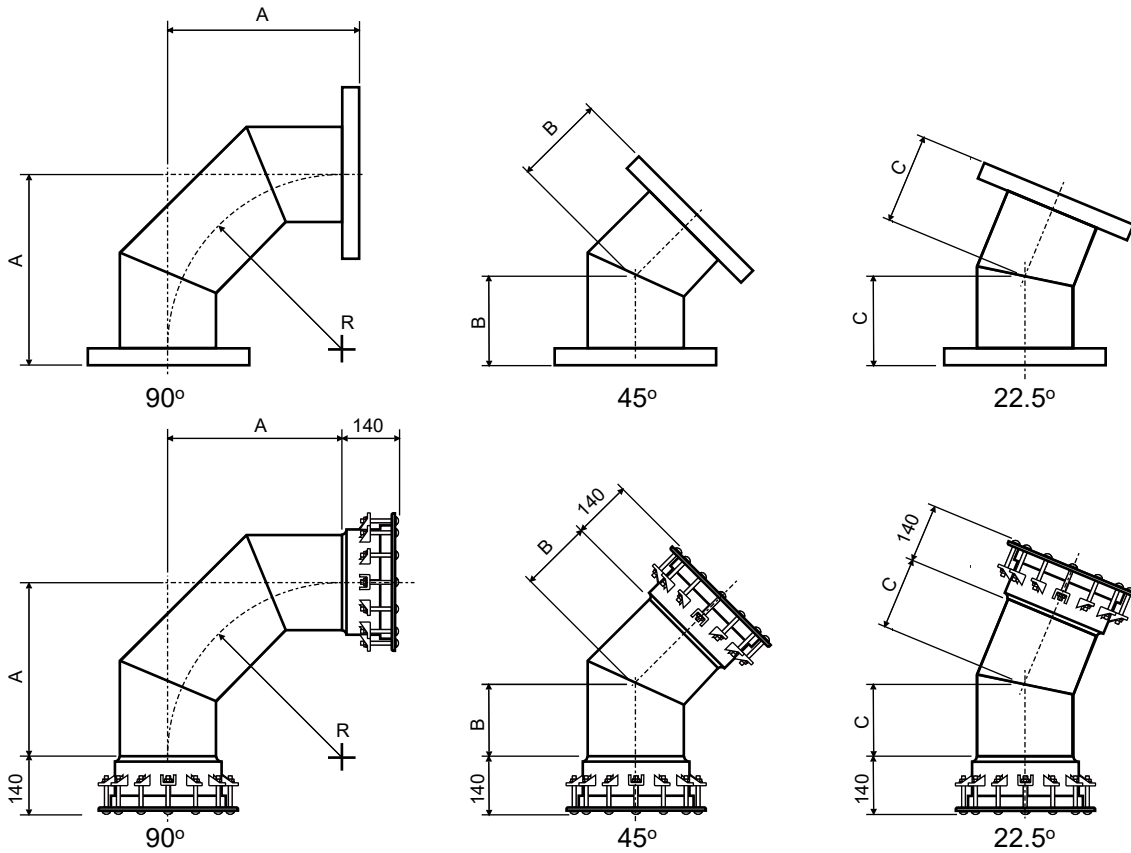


Unit mm

| Nominal Size DN | Pipe OD mm | A 3D | R Radius 3D | A 5D | R Radius 5D |
|-----------------|------------|------|-------------|------|-------------|
| 50 | 60.3 | 32 | 152 | 62 | 295 |
| 80 | 88.9 | 49 | 230 | 94 | 445 |
| 100 | 114,3 | 65 | 305 | 107 | 508 |
| 150 | 168.3 | 96 | 457 | 177 | 840 |
| 200 | 219.1 | 129 | 610 | 214 | 1016 |
| 250 | 273,1 | 161 | 762 | 273 | 1300 |
| 300 | 323.9 | 193 | 915 | 324 | 1540 |
| 350 | 355.6 | 224 | 1065 | 357 | 1700 |
| 400 | 406.4 | 256 | 1219 | 408 | 1940 |
| 450 | 457 | 289 | 1372 | 472 | 2244 |
| 500 | 508 | 321 | 1524 | 523 | 2490 |

VEROFLO ELBOWS

Flanged and Socketed Elbows

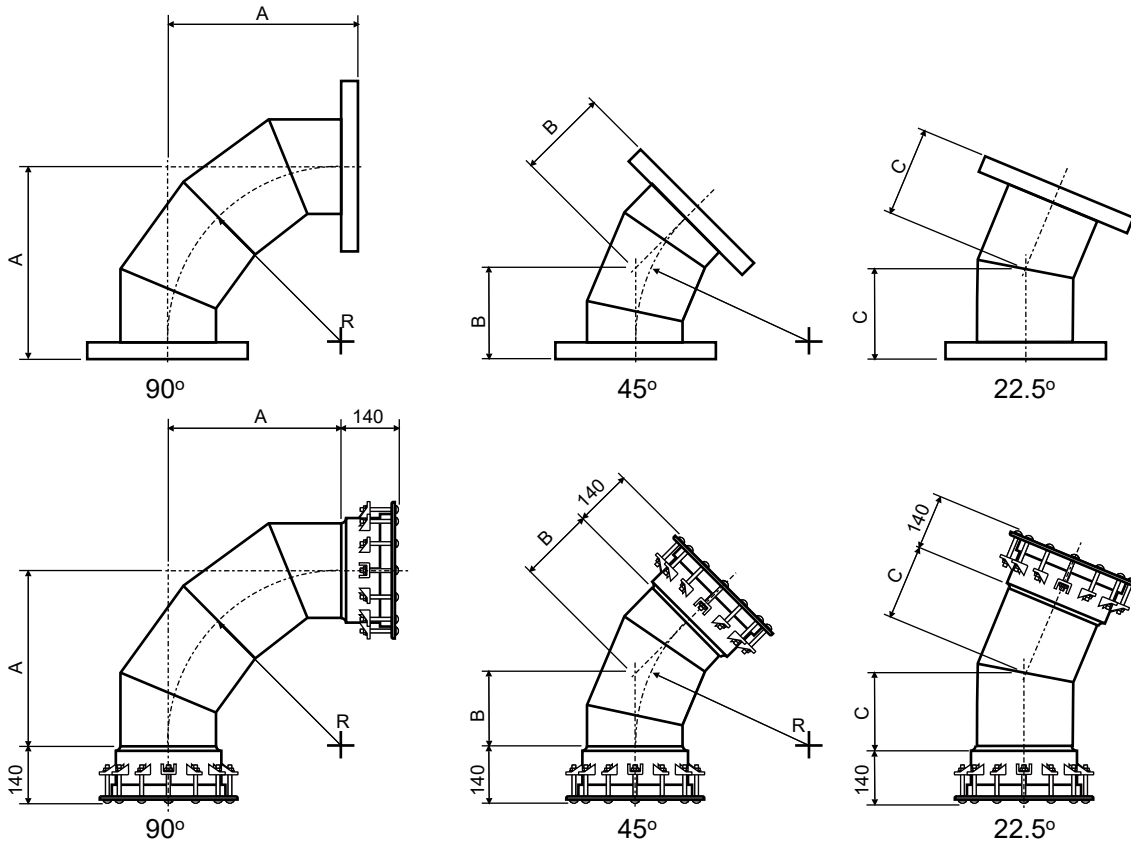


Unit mm

| Nominal Size DN | Pipe OD | Centre to Face | | | Radius R |
|-----------------|---------|----------------|-----|-----|----------|
| | | A | B | C | |
| 50 | 60.3 | 160 | 135 | 110 | 80 |
| 80 | 88.9 | 180 | 145 | 110 | 100 |
| 100 | 114.3 | 195 | 155 | 115 | 120 |
| 150 | 168.3 | 230 | 155 | 115 | 165 |
| 200 | 219.1 | 230 | 155 | 145 | 220 |
| 250 | 273.1 | 280 | 180 | 140 | 280 |
| 300 | 323.9 | 305 | 205 | 155 | 305 |
| 350 | 355.6 | 355 | 230 | 180 | 355 |
| 400 | 406.4 | 405 | 255 | 205 | 405 |
| 450 | 457 | 460 | 280 | 230 | 460 |
| 500 | 508 | 510 | 305 | 255 | 510 |
| 550 | 559 | 560 | 330 | 280 | 560 |
| 600 | 610 | 610 | 355 | 305 | 610 |
| 650 | 660 | 660 | 380 | 330 | 660 |
| 700 | 711 | 710 | 405 | 355 | 710 |
| 750 | 762 | 760 | 430 | 380 | 760 |
| 800 | 813 | 815 | 460 | 405 | 815 |
| 850 | 854 | 865 | 485 | 430 | 865 |
| 900 | 914 | 915 | 510 | 460 | 915 |
| 1000 | 1016 | 1020 | 568 | 512 | 1020 |
| 1100 | 1118 | 1120 | 623 | 562 | 1120 |
| 1200 | 1219 | 1220 | 680 | 612 | 1220 |

VEROFLO MEDIUM RADIUS BENDS

Flanged and Socketed Medium Radius Bends

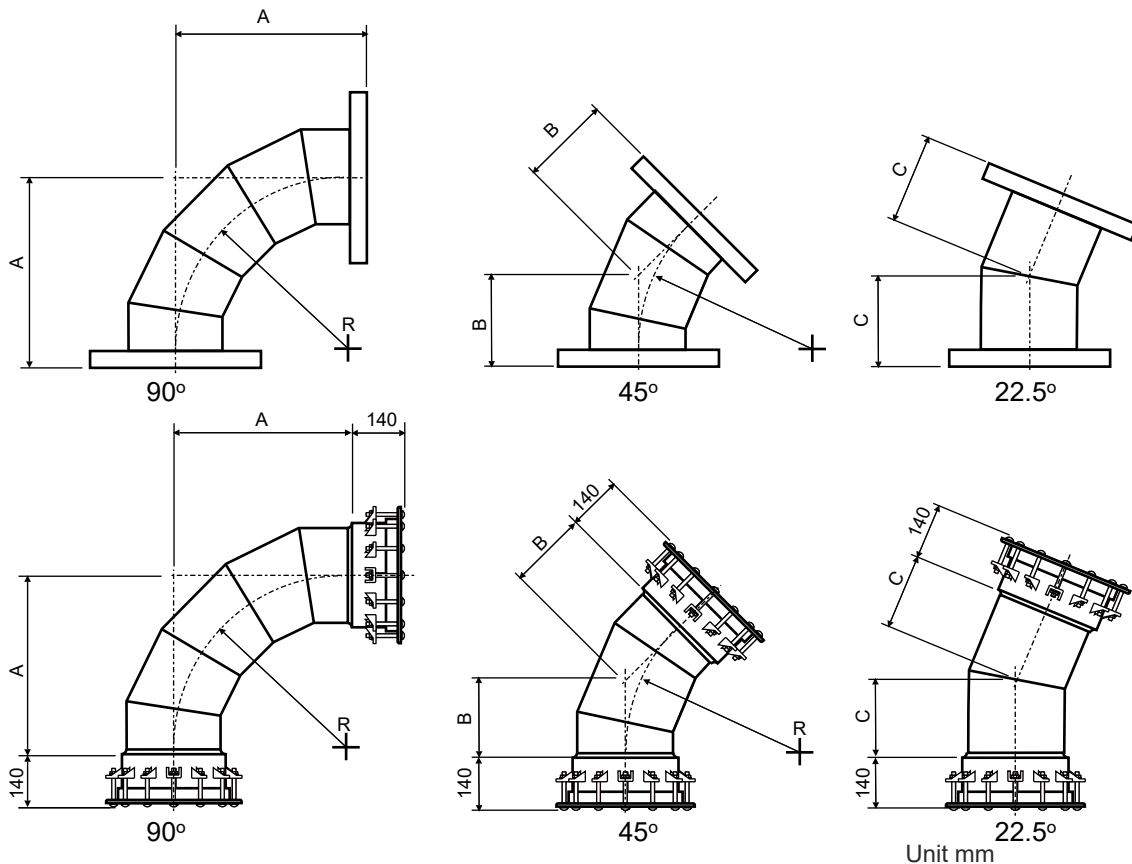


Unit mm

| Nominal Size DN | Pipe OD | Centre to Face | | | Radius R |
|-----------------|---------|----------------|------|-----|----------|
| | | A | B | C | |
| 50 | 60.3 | 180 | 140 | 110 | 100 |
| 80 | 88.9 | 220 | 160 | 120 | 150 |
| 100 | 114.3 | 260 | 180 | 125 | 200 |
| 150 | 168.3 | 340 | 215 | 135 | 300 |
| 200 | 219.1 | 405 | 205 | 140 | 405 |
| 250 | 273.1 | 510 | 255 | 180 | 510 |
| 300 | 323.9 | 610 | 305 | 205 | 610 |
| 350 | 355.6 | 710 | 355 | 240 | 710 |
| 400 | 406.4 | 815 | 405 | 280 | 815 |
| 450 | 457 | 915 | 460 | 305 | 915 |
| 500 | 508 | 1020 | 510 | 345 | 1020 |
| 550 | 559 | 1120 | 560 | 380 | 1120 |
| 600 | 610 | 1220 | 610 | 405 | 1220 |
| 650 | 660 | 1320 | 660 | 445 | 1320 |
| 700 | 711 | 1420 | 710 | 485 | 1420 |
| 750 | 762 | 1520 | 760 | 510 | 1520 |
| 800 | 813 | 1630 | 815 | 545 | 1630 |
| 850 | 854 | 1730 | 865 | 585 | 1730 |
| 900 | 914 | 1830 | 915 | 610 | 1830 |
| 1000 | 1016 | 2040 | 1020 | 680 | 2040 |
| 1100 | 1118 | 2240 | 1120 | 750 | 2240 |
| 1200 | 1219 | 2440 | 1220 | 815 | 2440 |

VEROFLO LONG RADIUS BENDS

Flanged and Socketed Long Radius Bends

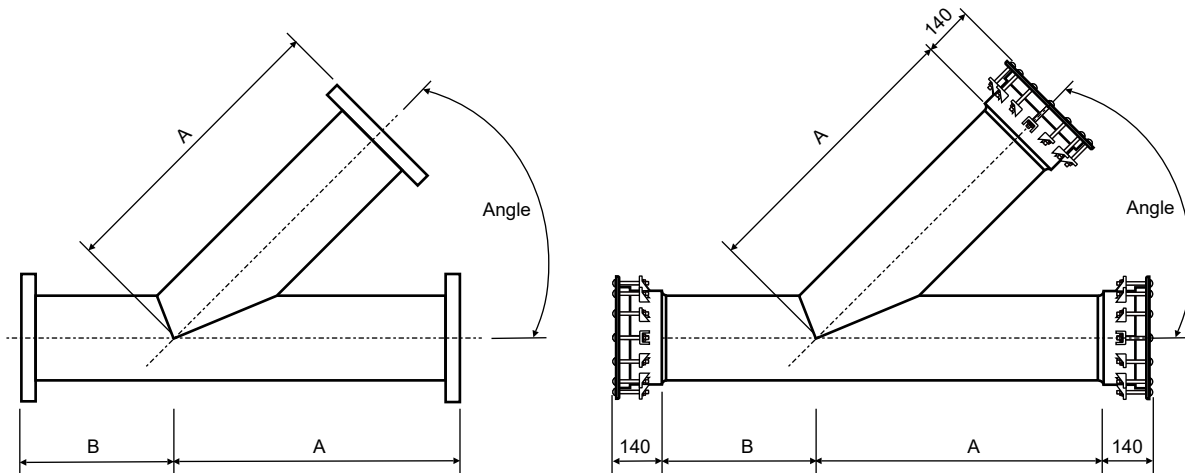


Unit mm

| Nominal Size DN | Pipe OD | Centre to Face | | | Radius R |
|-----------------|---------|----------------|------|------|----------|
| | | A | B | C | |
| 50 | 60.3 | 225 | 150 | 105 | 150 |
| 80 | 88.9 | 305 | 200 | 100 | 250 |
| 100 | 114.3 | 350 | 230 | 115 | 300 |
| 150 | 168.3 | 450 | 300 | 150 | 450 |
| 200 | 219.1 | 610 | 405 | 205 | 610 |
| 250 | 273.1 | 760 | 510 | 255 | 760 |
| 300 | 323.9 | 815 | 610 | 305 | 815 |
| 350 | 355.6 | 1065 | 710 | 355 | 1065 |
| 400 | 406.4 | 1215 | 815 | 405 | 1215 |
| 450 | 457 | 1380 | 915 | 460 | 1380 |
| 500 | 508 | 1530 | 1020 | 510 | 1530 |
| 550 | 559 | 1680 | 1120 | 560 | 1680 |
| 600 | 610 | 1830 | 1220 | 610 | 1830 |
| 650 | 660 | 1980 | 1320 | 660 | 1980 |
| 700 | 711 | 2130 | 1420 | 710 | 2130 |
| 750 | 762 | 2280 | 1520 | 760 | 2280 |
| 800 | 813 | 2445 | 1630 | 815 | 2445 |
| 850 | 854 | 2595 | 1730 | 865 | 2595 |
| 900 | 914 | 2745 | 1830 | 915 | 2745 |
| 1000 | 1016 | 3060 | 2040 | 1020 | 3060 |
| 1100 | 1118 | 3360 | 2240 | 1120 | 3360 |
| 1200 | 1219 | 3660 | 2440 | 1220 | 3660 |

VEROFLO LATERAL TEES

Flanged and Socketed Lateral Tees

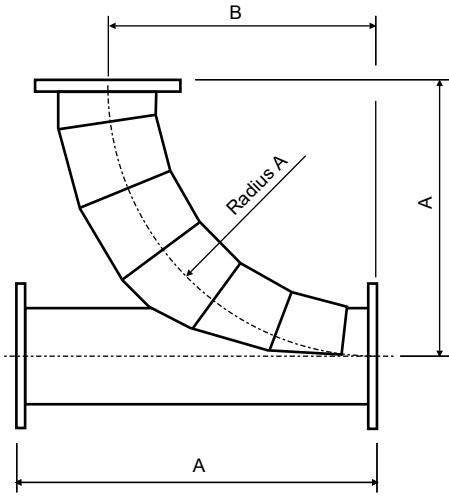


Unit mm

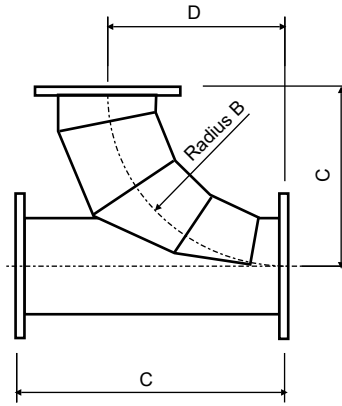
| Nominal Size DN | Pipe OD | Angle 60° | | Angle 45° | | Angle 30° | |
|-----------------|---------|-----------|-----|-----------|-----|-----------|-----|
| | | A | B | A | B | A | B |
| 50 | 60.3 | 200 | 120 | 220 | 120 | 250 | 100 |
| 80 | 88.9 | 230 | 130 | 260 | 130 | 320 | 130 |
| 100 | 114.3 | 260 | 140 | 300 | 140 | 370 | 140 |
| 150 | 168.3 | 315 | 160 | 380 | 160 | 480 | 160 |
| 200 | 219.1 | 430 | 180 | 610 | 100 | 815 | 100 |
| 250 | 273.1 | 485 | 200 | 685 | 130 | 940 | 125 |
| 300 | 323.9 | 535 | 225 | 760 | 155 | 1005 | 215 |
| 350 | 355.6 | 585 | 255 | 840 | 180 | 1195 | 175 |
| 400 | 406.4 | 635 | 280 | 815 | 205 | 1320 | 200 |
| 450 | 457 | 685 | 305 | 990 | 230 | 1450 | 220 |
| 500 | 508 | 740 | 325 | 1065 | 255 | 1575 | 255 |
| 550 | 559 | 790 | 350 | 1140 | 380 | 1700 | 280 |
| 600 | 610 | 840 | 380 | 1220 | 300 | 1830 | 300 |
| 650 | 660 | 890 | 405 | 1295 | 335 | 1955 | 325 |
| 700 | 711 | 940 | 430 | 1370 | 360 | 2080 | 350 |
| 750 | 762 | 990 | 455 | 1445 | 385 | 2210 | 385 |
| 800 | 813 | 1045 | 475 | 1520 | 410 | 2335 | 410 |
| 850 | 854 | 1095 | 500 | 1595 | 435 | 2456 | 439 |
| 900 | 914 | 1145 | 525 | 1670 | 460 | 2595 | 445 |
| 1000 | 1016 | 1270 | 590 | 1890 | 510 | 2885 | 495 |
| 1100 | 1118 | 1400 | 650 | 2070 | 560 | 3190 | 545 |
| 1200 | 1219 | 1530 | 710 | 2255 | 610 | 3475 | 595 |

VEROFLO SWEEP TEES

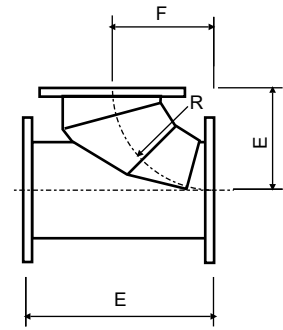
Flanged Sweep Tees



Long Radius 3D



Medium Radius 2D



Short Radius 1D

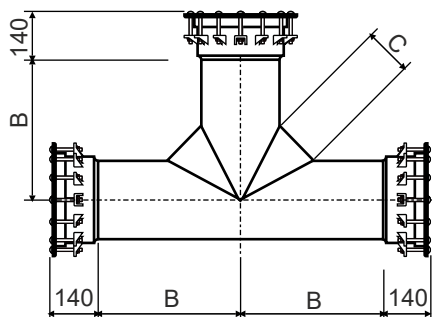
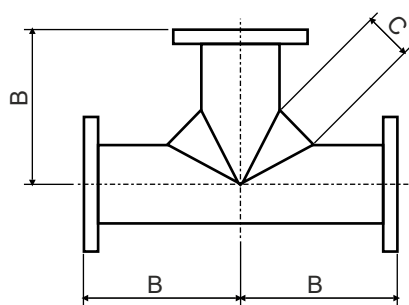
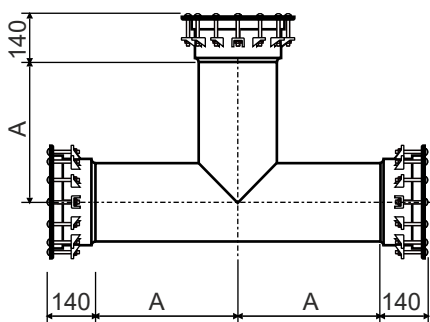
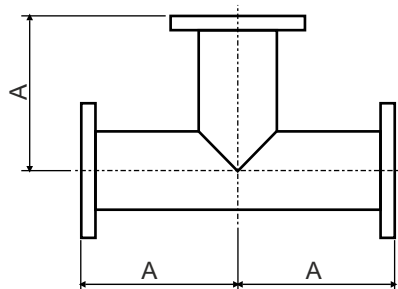
Unit mm

| Nominal Size DN | Pipe OD | Long Radius | | Medium Radius | | Short Radius | | |
|-----------------|---------|-------------|------|---------------|------|--------------|------|------|
| | | A | B | C | D | E | F | R |
| 50 | 60.3 | 150 | 240 | 100 | 150 | 250 | 135 | 65 |
| 80 | 88.9 | 230 | 330 | 160 | 240 | 320 | 190 | 89 |
| 100 | 114.3 | 305 | 430 | 200 | 300 | 130 | 220 | 105 |
| 150 | 168.3 | 455 | 635 | 300 | 450 | 180 | 355 | 160 |
| 200 | 219.1 | 610 | 815 | 405 | 610 | 230 | 430 | 205 |
| 250 | 273.1 | 760 | 1020 | 510 | 760 | 280 | 535 | 255 |
| 300 | 323.9 | 915 | 1220 | 610 | 915 | 305 | 610 | 280 |
| 350 | 355.6 | 1070 | 1420 | 710 | 1070 | 355 | 710 | 330 |
| 400 | 406.4 | 1215 | 1630 | 815 | 1215 | 405 | 810 | 380 |
| 450 | 457 | 1380 | 1830 | 915 | 1380 | 460 | 920 | 430 |
| 500 | 508 | 1530 | 2040 | 1020 | 1530 | 510 | 1020 | 485 |
| 550 | 559 | 1680 | 2240 | 1120 | 1680 | 560 | 1120 | 535 |
| 600 | 610 | 1830 | 2440 | 1220 | 1830 | 610 | 1220 | 585 |
| 650 | 660 | 1980 | 2640 | 1320 | 1980 | 660 | 1320 | 635 |
| 700 | 711 | 2130 | 2840 | 1420 | 2130 | 710 | 1420 | 685 |
| 750 | 762 | 2280 | 3040 | 1520 | 2280 | 760 | 1520 | 740 |
| 800 | 813 | 2445 | 3260 | 1630 | 2445 | 810 | 1630 | 790 |
| 850 | 854 | 2595 | 3460 | 1730 | 2595 | 865 | 1730 | 840 |
| 900 | 914 | 2745 | 3660 | 1830 | 2745 | 915 | 1830 | 890 |
| 1000 | 1016 | 3060 | 4080 | 2040 | 3060 | 1020 | 2040 | 995 |
| 1100 | 1118 | 3360 | 4480 | 2240 | 3360 | 1120 | 2240 | 1090 |
| 1200 | 1219 | 3660 | 4880 | 2440 | 3660 | 1220 | 2440 | 1190 |

VEROFLO FLANGED AND SOCKETED TEES

All Flanged Tee and All Socketed Tees

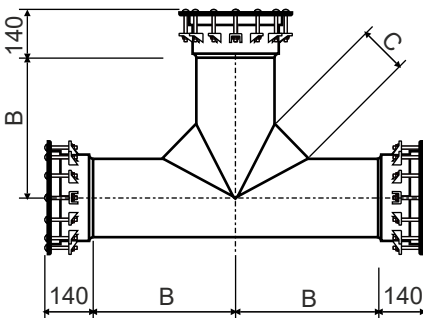
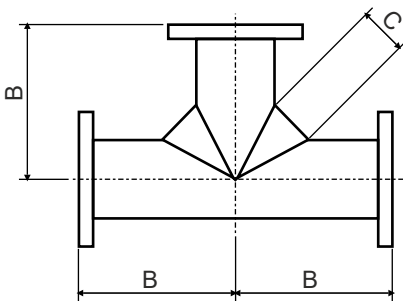
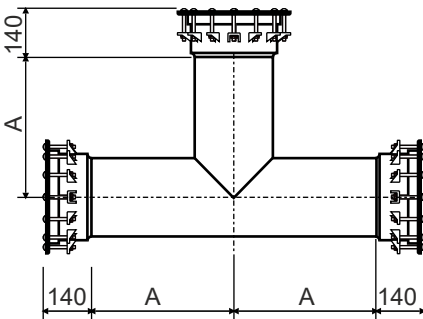
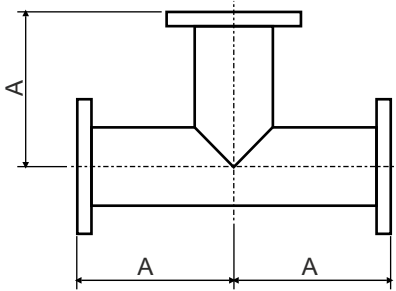
Unit mm



| Nom. Size Pipe Run DN | Tee Run OD | Nom. Size Tee Branch DN | Tee Branch OD | A | B | C |
|-----------------------|------------|-------------------------|---------------|-----|-----|-----|
| 50 | 60.3 | 50 | 60.3 | 130 | 200 | 25 |
| | | 80 | 88.9 | 150 | 230 | 40 |
| 80 | 114.3 | 50 | 60.3 | 180 | 280 | 25 |
| | | 80 | 88.9 | 180 | 280 | 40 |
| | | 100 | 114.3 | 180 | 280 | 50 |
| 100 | 168.3 | 50 | 60.3 | 230 | 355 | 25 |
| | | 80 | 88.9 | 230 | 355 | 40 |
| | | 100 | 114.3 | 230 | 355 | 50 |
| | | 150 | 168.3 | 230 | 355 | 75 |
| 150 | 219.1 | 50 | 60.3 | 230 | 355 | 25 |
| | | 80 | 88.9 | 230 | 355 | 40 |
| | | 100 | 114.3 | 230 | 355 | 50 |
| | | 150 | 168.3 | 230 | 355 | 75 |
| | | 200 | 219.1 | 230 | 355 | 102 |
| 200 | 273.1 | 50 | 60.3 | 280 | 405 | 127 |
| | | 80 | 88.9 | 280 | 405 | 40 |
| | | 100 | 114.3 | 280 | 405 | 50 |
| | | 150 | 168.3 | 280 | 405 | 75 |
| | | 200 | 219.1 | 280 | 405 | 102 |
| | | 250 | 273.1 | 280 | 405 | 127 |
| 250 | 323.9 | 50 | 60.3 | 305 | 460 | 25 |
| | | 80 | 88.9 | 305 | 460 | 40 |
| | | 100 | 114.3 | 305 | 460 | 50 |
| | | 150 | 168.3 | 305 | 460 | 75 |
| | | 200 | 219.1 | 305 | 460 | 102 |
| | | 250 | 273.1 | 305 | 460 | 127 |
| | | 300 | 323.9 | 305 | 460 | 155 |
| 300 | 355.6 | 50 | 60.3 | 355 | 510 | 25 |
| | | 80 | 88.9 | 355 | 510 | 40 |
| | | 100 | 114.3 | 355 | 510 | 50 |
| | | 150 | 168.3 | 355 | 510 | 75 |
| | | 200 | 219.1 | 355 | 510 | 102 |
| | | 250 | 273.1 | 355 | 510 | 127 |
| | | 300 | 323.9 | 355 | 510 | 155 |
| | | 350 | 355.6 | 355 | 510 | 180 |
| 350 | 406.4 | 50 | 60.3 | 405 | 560 | 25 |
| | | 80 | 88.9 | 405 | 560 | 40 |
| | | 100 | 114.3 | 405 | 560 | 50 |
| | | 150 | 168.3 | 405 | 560 | 75 |
| | | 200 | 219.1 | 405 | 560 | 102 |
| | | 250 | 273.1 | 405 | 560 | 127 |
| | | 300 | 323.9 | 405 | 560 | 155 |
| | | 350 | 355.6 | 405 | 560 | 180 |
| | | 400 | 406.4 | 405 | 560 | 205 |

VEROFLO FLANGED AND SOCKETED TEES

Unit mm

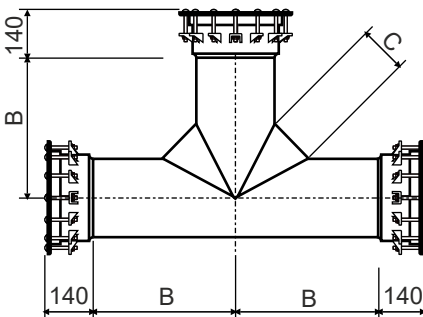
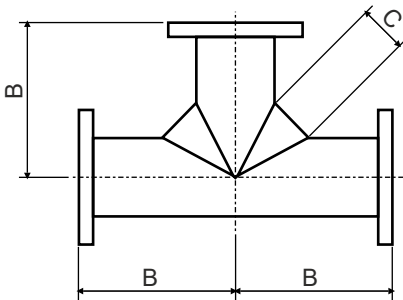
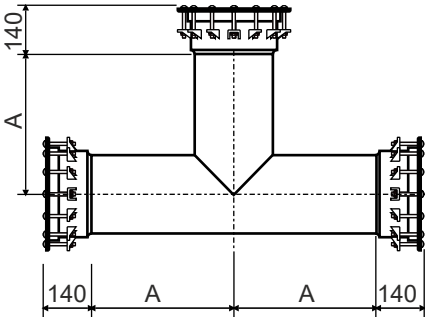
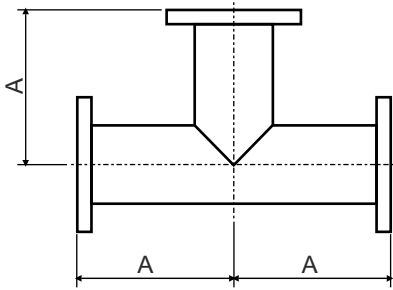


| Nom. Size Pipe Run DN | Tee Run OD | Nom. Size Tee Branch DN | Tee Branch OD | A | B | C |
|-----------------------|------------|-------------------------|---------------|-----|-----|-----|
| 450 | 457 | 50 | 60.3 | 460 | 610 | 25 |
| | | 80 | 88.9 | 460 | 610 | 40 |
| | | 100 | 114.3 | 460 | 610 | 50 |
| | | 150 | 168.3 | 460 | 610 | 75 |
| | | 200 | 219.1 | 460 | 610 | 102 |
| | | 250 | 273.1 | 460 | 610 | 127 |
| | | 300 | 323.9 | 460 | 610 | 155 |
| | | 350 | 355.6 | 460 | 610 | 180 |
| | | 400 | 406.4 | 460 | 610 | 205 |
| | | 450 | 457 | 460 | 610 | 230 |
| 500 | 508 | 50 | 60.3 | 510 | 660 | 25 |
| | | 80 | 88.9 | 510 | 660 | 40 |
| | | 100 | 114.3 | 510 | 660 | 50 |
| | | 150 | 168.3 | 510 | 660 | 75 |
| | | 200 | 219.1 | 510 | 660 | 102 |
| | | 250 | 273.1 | 510 | 660 | 127 |
| | | 300 | 323.9 | 510 | 660 | 155 |
| | | 350 | 355.6 | 510 | 660 | 180 |
| | | 400 | 406.4 | 510 | 660 | 205 |
| | | 450 | 457 | 510 | 660 | 230 |
| 500 | 508 | 510 | 660 | 255 | | |
| 550 | 559 | 50 | 60.3 | 560 | 710 | 25 |
| | | 80 | 88.9 | 560 | 710 | 40 |
| | | 100 | 114.3 | 560 | 710 | 50 |
| | | 150 | 168.3 | 560 | 710 | 75 |
| | | 200 | 219.1 | 560 | 710 | 102 |
| | | 250 | 273.1 | 560 | 710 | 127 |
| | | 300 | 323.9 | 560 | 710 | 155 |
| | | 350 | 355.6 | 560 | 710 | 180 |
| | | 400 | 406.4 | 560 | 710 | 205 |
| | | 450 | 457 | 560 | 710 | 230 |
| 500 | 508 | 560 | 710 | 255 | | |
| 550 | 559 | 560 | 710 | 288 | | |
| 600 | 610 | 50 | 60.3 | 610 | 760 | 25 |
| | | 80 | 88.9 | 610 | 760 | 40 |
| | | 100 | 114.3 | 610 | 760 | 50 |
| | | 150 | 168.3 | 610 | 760 | 75 |
| | | 200 | 219.1 | 610 | 760 | 102 |
| | | 250 | 273.1 | 610 | 760 | 127 |
| | | 300 | 323.9 | 610 | 760 | 155 |
| | | 350 | 355.6 | 610 | 760 | 180 |
| | | 400 | 406.4 | 610 | 760 | 205 |
| | | 450 | 457 | 610 | 760 | 230 |
| | | 500 | 508 | 610 | 760 | 25 |
| | | 550 | 559 | 610 | 760 | 288 |
| 600 | 610 | 610 | 760 | 305 | | |

VEROFLO FLANGED AND SOCKETED TEES

All Flanged Tee and All Socketed Tees

Unit mm

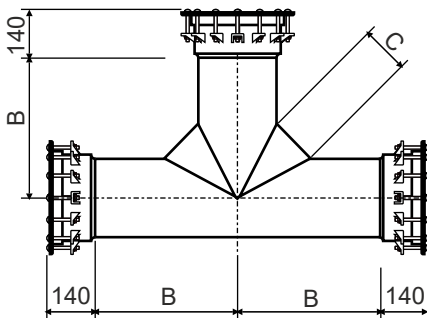
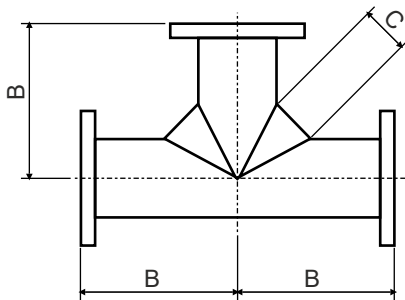
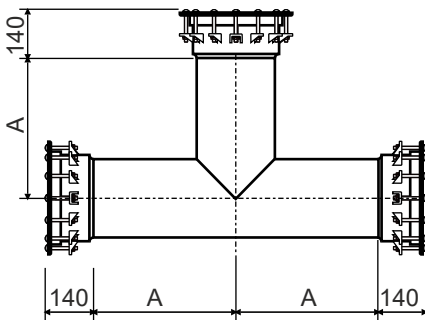
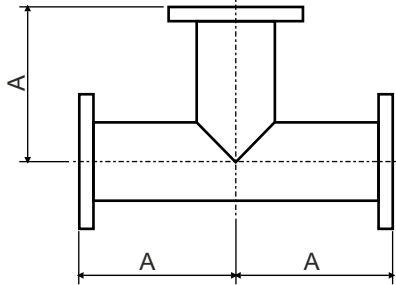


| Nom. Size Pipe Run DN | Tee Run OD | Nom. Size Tee Branch DN | Tee Branch OD | A | B | C |
|-----------------------|------------|-------------------------|---------------|-----|-------|-----|
| 650 | 660 | 100 | 114.3 | 660 | 815 | 50 |
| | | 150 | 168.3 | 660 | 815 | 75 |
| | | 200 | 219.1 | 660 | 815 | 102 |
| | | 250 | 273.1 | 660 | 815 | 127 |
| | | 300 | 323.9 | 660 | 815 | 155 |
| | | 350 | 355.6 | 660 | 815 | 180 |
| | | 400 | 406.4 | 660 | 815 | 205 |
| | | 450 | 457 | 660 | 815 | 230 |
| | | 500 | 508 | 660 | 815 | 255 |
| | | 550 | 560 | 660 | 815 | 280 |
| | | 600 | 610 | 660 | 815 | 305 |
| | | 650 | 660 | 660 | 815 | 330 |
| | | 700 | 711 | 100 | 114.3 | 710 |
| 150 | 168.3 | | | 710 | 865 | 127 |
| 200 | 219.1 | | | 710 | 865 | 155 |
| 250 | 273.1 | | | 710 | 865 | 180 |
| 300 | 323.9 | | | 710 | 865 | 205 |
| 350 | 355.6 | | | 710 | 865 | 230 |
| 400 | 406.4 | | | 710 | 865 | 255 |
| 450 | 457 | | | 710 | 865 | 280 |
| 500 | 508 | | | 710 | 865 | 305 |
| 550 | 560 | | | 710 | 865 | 330 |
| 600 | 610 | | | 710 | 865 | 355 |
| 650 | 660 | | | 710 | 865 | 380 |
| 700 | 711 | | | 710 | 865 | 405 |
| 750 | 762 | 100 | 114.3 | 760 | 915 | 50 |
| | | 150 | 168.3 | 760 | 915 | 75 |
| | | 200 | 219.1 | 760 | 915 | 102 |
| | | 250 | 273.1 | 760 | 915 | 127 |
| | | 300 | 323.9 | 760 | 915 | 155 |
| | | 350 | 355.6 | 760 | 915 | 180 |
| | | 400 | 406.4 | 760 | 915 | 205 |
| | | 450 | 457 | 760 | 915 | 230 |
| | | 500 | 508 | 760 | 915 | 255 |
| | | 550 | 560 | 760 | 915 | 280 |
| | | 600 | 610 | 760 | 915 | 305 |
| | | 650 | 660 | 760 | 915 | 330 |
| | | 700 | 711 | 760 | 915 | 355 |
| 750 | 760 | 760 | 915 | 380 | | |

VEROFLO FLANGED AND SOCKETED TEES

All Flanged Tee and All Socketed Tees

Unit mm

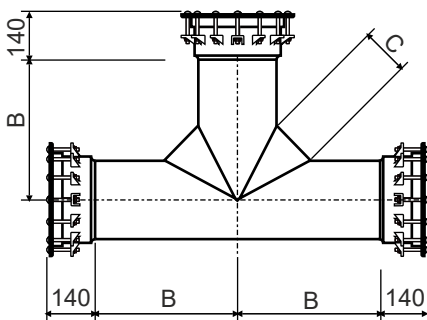
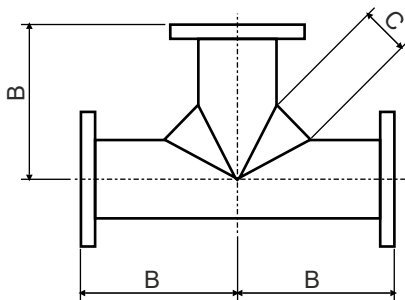
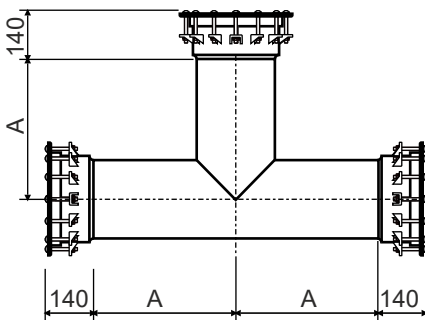
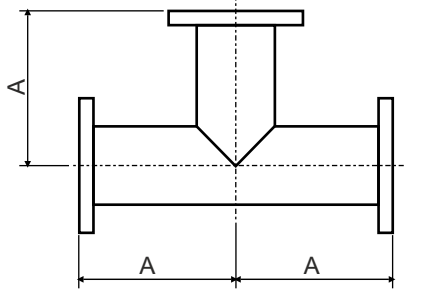


| Nom. Size Pipe Run DN | Tee Run OD | Nom. Size Tee Branch DN | Tee Branch OD | A | B | C |
|-----------------------|------------|-------------------------|---------------|-----|------|-----|
| 800 | 813 | 150 | 168.3 | 815 | 970 | 75 |
| | | 200 | 219.1 | 815 | 970 | 102 |
| | | 250 | 273.1 | 815 | 970 | 127 |
| | | 300 | 323.9 | 815 | 970 | 155 |
| | | 350 | 355.6 | 815 | 970 | 180 |
| | | 400 | 406.4 | 815 | 970 | 205 |
| | | 450 | 457 | 815 | 970 | 230 |
| | | 500 | 508 | 815 | 970 | 255 |
| | | 550 | 560 | 815 | 970 | 280 |
| | | 600 | 610 | 815 | 970 | 305 |
| | | 650 | 660 | 815 | 970 | 330 |
| | | 700 | 711 | 815 | 970 | 355 |
| | | 750 | 760 | 815 | 970 | 380 |
| | | 800 | 813 | 815 | 970 | 405 |
| 850 | 864 | 150 | 168.3 | 865 | 1020 | 75 |
| | | 200 | 219.1 | 865 | 1020 | 102 |
| | | 250 | 273.1 | 865 | 1020 | 127 |
| | | 300 | 323.9 | 865 | 1020 | 155 |
| | | 350 | 355.6 | 865 | 1020 | 180 |
| | | 400 | 406.4 | 865 | 1020 | 205 |
| | | 450 | 457 | 865 | 1020 | 230 |
| | | 500 | 508 | 865 | 1020 | 255 |
| | | 550 | 560 | 865 | 1020 | 280 |
| | | 600 | 610 | 865 | 1020 | 305 |
| | | 650 | 660 | 865 | 1020 | 330 |
| | | 700 | 711 | 865 | 1020 | 355 |
| | | 750 | 760 | 865 | 1020 | 380 |
| | | 800 | 813 | 865 | 1020 | 405 |
| 850 | 864 | 865 | 1020 | 430 | | |
| 900 | 911 | 150 | 168.3 | 915 | 1070 | 75 |
| | | 200 | 219.1 | 915 | 1070 | 102 |
| | | 250 | 273.1 | 915 | 1070 | 127 |
| | | 300 | 323.9 | 915 | 1070 | 155 |
| | | 350 | 355.6 | 915 | 1070 | 180 |
| | | 400 | 406.4 | 915 | 1070 | 205 |
| | | 450 | 457 | 915 | 1070 | 230 |
| | | 500 | 508 | 915 | 1070 | 255 |
| | | 550 | 560 | 915 | 1070 | 280 |
| | | 600 | 610 | 915 | 1070 | 305 |
| | | 650 | 660 | 915 | 1070 | 330 |
| | | 700 | 711 | 915 | 1070 | 355 |
| | | 750 | 760 | 915 | 1070 | 380 |
| | | 800 | 813 | 915 | 1070 | 405 |
| 850 | 864 | 915 | 1070 | 430 | | |
| 900 | 910 | 915 | 1070 | 480 | | |

VEROFLO FLANGED AND SOCKETED TEES

All Flanged Tee and All Socketed Tees

Unit mm

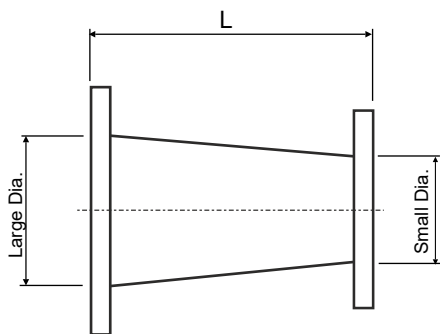


| Nom. Size Pipe Run DN | Tee Run OD | Nom. Size Tee Branch DN | Tee Branch OD | A | B | C |
|-----------------------|------------|-------------------------|---------------|------|------|-----|
| 1000 | 1050 | 150 | 168.3 | 1020 | 1195 | 75 |
| | | 200 | 219.1 | 1020 | 1195 | 102 |
| | | 250 | 273.1 | 1020 | 1195 | 127 |
| | | 300 | 323.9 | 1020 | 1195 | 155 |
| | | 350 | 355.6 | 1020 | 1195 | 180 |
| | | 400 | 406.4 | 1020 | 1195 | 205 |
| | | 450 | 457 | 1020 | 1195 | 230 |
| | | 500 | 508 | 1020 | 1195 | 255 |
| | | 550 | 560 | 1020 | 1195 | 280 |
| | | 600 | 610 | 1020 | 1195 | 305 |
| | | 650 | 660 | 1020 | 1195 | 330 |
| | | 700 | 711 | 1020 | 1195 | 355 |
| | | 750 | 760 | 1020 | 1195 | 380 |
| | | 800 | 813 | 1020 | 1195 | 405 |
| | | 850 | 864 | 1020 | 1195 | 430 |
| | | 900 | 910 | 1020 | 1195 | 460 |
| 1000 | 1016 | 1020 | 1195 | 510 | | |
| 1200 | 1219 | 150 | 168.3 | 1220 | 1430 | 75 |
| | | 200 | 219.1 | 1220 | 1430 | 102 |
| | | 250 | 273.1 | 1220 | 1430 | 127 |
| | | 300 | 323.9 | 1220 | 1430 | 155 |
| | | 350 | 355.6 | 1220 | 1430 | 180 |
| | | 400 | 406.4 | 1220 | 1430 | 205 |
| | | 450 | 457 | 1220 | 1430 | 230 |
| | | 500 | 508 | 1220 | 1430 | 255 |
| | | 550 | 560 | 1220 | 1430 | 280 |
| | | 600 | 610 | 1220 | 1430 | 305 |
| | | 650 | 660 | 1220 | 1430 | 330 |
| | | 700 | 711 | 1220 | 1430 | 355 |
| | | 750 | 760 | 1220 | 1430 | 380 |
| | | 800 | 813 | 1220 | 1430 | 405 |
| | | 850 | 864 | 1220 | 1430 | 430 |
| | | 900 | 910 | 1220 | 1430 | 460 |
| 1000 | 1016 | 1220 | 1430 | 510 | | |
| 1200 | 1219 | 1220 | 1430 | 610 | | |

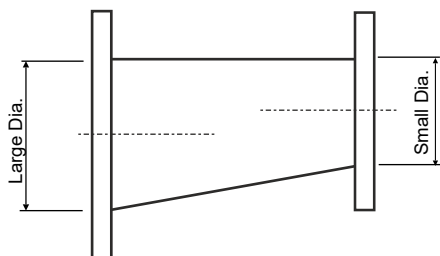
VEROFLO REDUCERS

All Flanged Concentric and Eccentric Reducers

Unit mm



Concentric Reducer



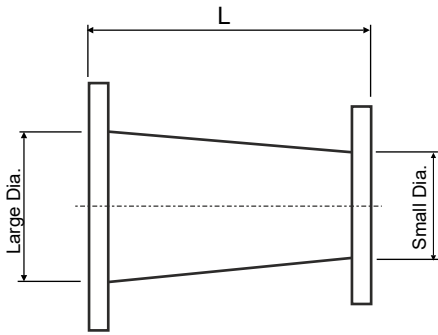
Eccentric Reducer

| Nom. Size Large Dia DN | Large Dia. OD | Nom. Size Small Dia DN | Small Dia. OD | L |
|------------------------|---------------|------------------------|---------------|-----|
| 80 | 88.9 | 50 | 60.3 | 130 |
| 100 | 114.3 | 80 | 88.9 | 150 |
| 150 | 168.3 | 100 | 114.3 | 150 |
| | | 80 | 88.9 | 180 |
| 200 | 219.1 | 150 | 168.3 | 180 |
| | | 100 | 114.3 | 180 |
| 250 | 273.1 | 200 | 219.1 | 205 |
| | | 150 | 168.3 | 205 |
| | | 100 | 88.9 | 205 |
| 300 | 323.9 | 250 | 273.1 | 230 |
| | | 200 | 219.1 | 230 |
| | | 150 | 168.3 | 230 |
| 350 | 355.6 | 300 | 323.9 | 255 |
| | | 250 | 273.1 | 255 |
| | | 200 | 219.1 | 230 |
| 400 | 406.4 | 350 | 355.6 | 280 |
| | | 300 | 323.9 | 280 |
| | | 250 | 273.1 | 280 |
| 450 | 457 | 400 | 406.4 | 305 |
| | | 350 | 355.6 | 305 |
| | | 300 | 323.9 | 305 |
| 500 | 508 | 450 | 457 | 330 |
| | | 400 | 406.4 | 330 |
| 550 | 559 | 500 | 508 | 355 |
| | | 450 | 457 | 355 |
| | | 400 | 406.4 | 355 |
| | | 350 | 355 | 355 |
| 600 | 610 | 550 | 559 | 380 |
| | | 500 | 508 | 380 |
| | | 450 | 457 | 380 |
| | | 400 | 406.4 | 380 |
| 650 | 660 | 600 | 610 | 405 |
| | | 550 | 559 | 405 |
| | | 500 | 508 | 405 |
| | | 450 | 457 | 405 |
| | | 400 | 406.4 | 405 |
| 700 | 711 | 650 | 660 | 430 |
| | | 600 | 610 | 430 |
| | | 550 | 559 | 430 |
| | | 500 | 508 | 430 |
| 750 | 762 | 700 | 711 | 460 |
| | | 650 | 610 | 460 |
| | | 600 | 610 | 460 |
| | | 550 | 559 | 460 |
| | | 500 | 508 | 460 |

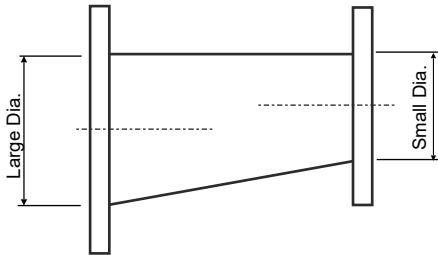
VEROFLO REDUCERS

All Flanged Concentric and Eccentric Reducers

Unit mm



Concentric Reducer



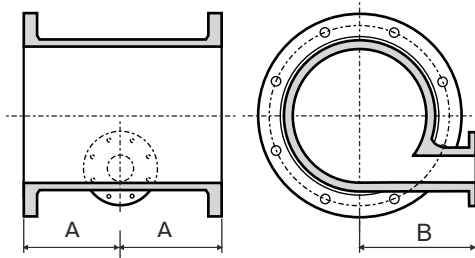
Eccentric Reducer

| Nom. Size Large Dia DN | Large Dia. OD | Nom. Size Small Dia DN | Small Dia. OD | L |
|------------------------|---------------|------------------------|---------------|-----|
| 800 | 813 | 750 | 762 | 485 |
| | | 700 | 711 | 485 |
| | | 650 | 660 | 485 |
| | | 600 | 610 | 485 |
| | | 550 | 560 | 485 |
| 850 | 864 | 800 | 813 | 510 |
| | | 750 | 762 | 510 |
| | | 700 | 711 | 510 |
| | | 650 | 660 | 510 |
| | | 600 | 610 | 510 |
| 900 | 914 | 850 | 864 | 535 |
| | | 800 | 813 | 535 |
| | | 750 | 762 | 535 |
| | | 700 | 711 | 535 |
| | | 650 | 660 | 535 |
| 1000 | 1016 | 900 | 914 | 280 |
| | | 850 | 860 | 280 |
| | | 800 | 813 | 280 |
| | | 750 | 762 | 305 |
| | | 700 | 711 | 305 |
| 1100 | 1118 | 1000 | 1016 | 305 |
| | | 900 | 914 | 330 |
| | | 850 | 860 | 330 |
| | | 750 | 762 | 355 |
| 1200 | 1219 | 1100 | 1118 | 355 |
| | | 1000 | 1016 | 355 |
| | | 900 | 914 | 355 |
| | | 850 | 860 | 380 |
| | | 800 | 813 | 380 |

VEROFLO FLANGED SCOUR TEES

Double Flanged Scour Tee with Flanged Branch

Unit mm

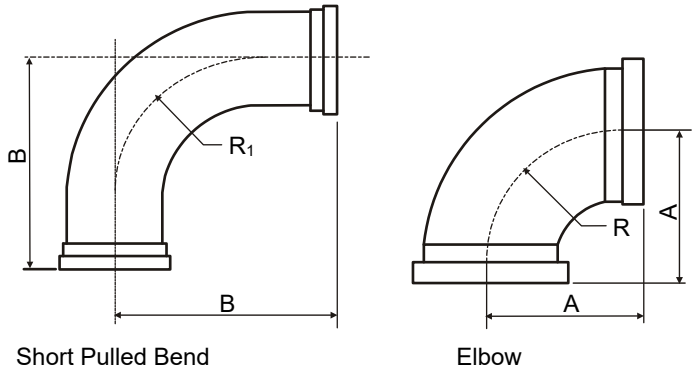


| Nom. Size Pipe Run DN | Tee Run OD | Nom. Size Tee Branch DN | Tee Branch OD | A | B |
|-----------------------|------------|-------------------------|---------------|------|------|
| 80 | 60.3 | 50 | 60.3 | 150 | 150 |
| | | 80 | 88.9 | 180 | 180 |
| 100 | 114.3 | 50 | 60.3 | 180 | 180 |
| | | 80 | 88.9 | 230 | 230 |
| 150 | 168.3 | 50 | 60.3 | 230 | 230 |
| | | 80 | 88.9 | 230 | 230 |
| 200 | 219.1 | 50 | 60.3 | 230 | 230 |
| | | 80 | 88.9 | 230 | 230 |
| | | 100 | 114.3 | 230 | 230 |
| 250 | 273.1 | 80 | 88.9 | 280 | 280 |
| | | 100 | 114.3 | 280 | 280 |
| 300 | 323.9 | 80 | 88.9 | 305 | 305 |
| | | 100 | 114.3 | 305 | 305 |
| 350 | 355.6 | 80 | 88.9 | 360 | 360 |
| | | 100 | 114.3 | 360 | 360 |
| | | 150 | 168.3 | 360 | 360 |
| 400 | 406.5 | 100 | 114.3 | 405 | 405 |
| | | 150 | 168.3 | 405 | 405 |
| | | 200 | 219.1 | 405 | 405 |
| 450 | 457 | 100 | 114.3 | 460 | 460 |
| | | 150 | 168.3 | 460 | 460 |
| | | 200 | 219.1 | 460 | 460 |
| 500 | 508 | 150 | 168.3 | 510 | 510 |
| | | 200 | 219.1 | 510 | 510 |
| | | 250 | 273.1 | 510 | 510 |
| 600 | 610 | 150 | 168.3 | 610 | 610 |
| | | 200 | 219.1 | 610 | 610 |
| | | 250 | 273.1 | 610 | 610 |
| | | 300 | 323.1 | 610 | 610 |
| 700 | 711 | 200 | 219.1 | 710 | 710 |
| | | 250 | 273.1 | 710 | 710 |
| | | 300 | 323.1 | 710 | 710 |
| 800 | 813 | 200 | 219.1 | 815 | 815 |
| | | 250 | 273.1 | 815 | 815 |
| | | 300 | 323.1 | 815 | 815 |
| | | 350 | 371 | 815 | 815 |
| 900 | 914 | 250 | 273.1 | 915 | 915 |
| | | 300 | 323.1 | 915 | 915 |
| | | 350 | 371 | 915 | 815 |
| 1000 | 1050 | 250 | 273.1 | 1020 | 1020 |
| | | 300 | 323.1 | 1020 | 1020 |
| | | 350 | 371 | 1020 | 1020 |
| 1200 | 1219 | 250 | 273.1 | 1220 | 1220 |
| | | 300 | 323.1 | 1220 | 1220 |
| | | 350 | 371 | 1220 | 1220 |
| | | 400 | 406 | 1220 | 1220 |

VEROFLO SHOULDERED BENDS AND ELBOWS

90° Shouldered Short Pulled Bends and Elbows

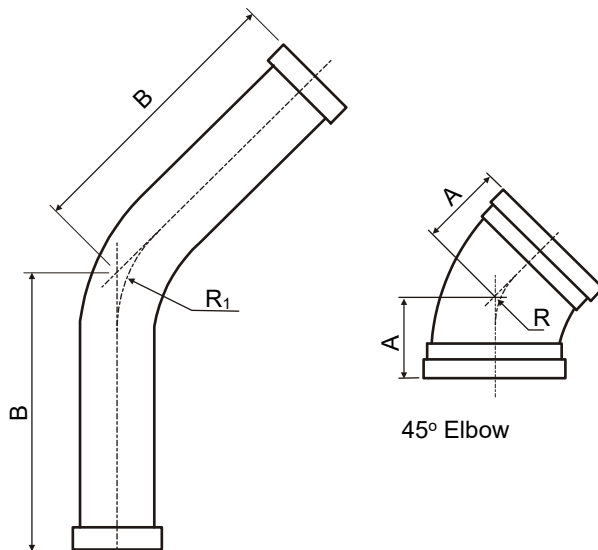
Unit mm



| Nominal Size DN | Pipe OD | 8 A | R | B | R ₁ |
|-----------------|---------|----------------|-----|-----|----------------|
| | | 108 | | | |
| 50 | 60.3 | 133 | 48 | 152 | 124 |
| 80 | 88.9 | 165 | 69 | 203 | 175 |
| 100 | 114,3 | 197 | 98 | 254 | 226 |
| 150 | 168.3 | 229 | 125 | 305 | 276 |
| 200 | 219.1 | 254 | 160 | 305 | 276 |
| 250 | 273,1 | 324 | 229 | 381 | 349 |
| 300 | 323.9 | | 254 | 453 | 407 |
| 350 | 355.6 | | 324 | 498 | 448 |

45° Shouldered Short Pulled Bend and Elbows

Unit mm

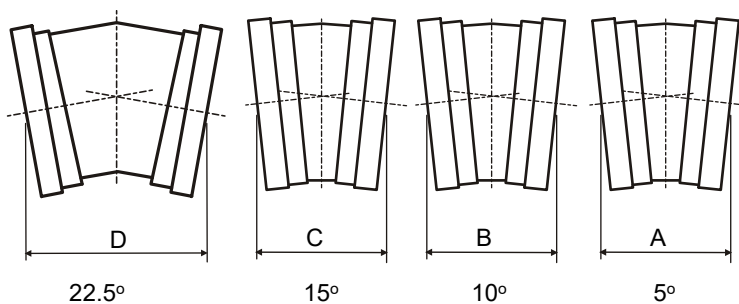


| Nominal Size DN | Pipe OD | A | R | B | R ₁ |
|-----------------|---------|-----|-----|-----|----------------|
| 50 | 60.3 | 61 | 83 | 229 | 153 |
| 80 | 88.9 | 62 | 87 | 336 | 230 |
| 100 | 114,3 | 71 | 110 | 368 | 305 |
| 150 | 168.3 | 89 | 133 | 432 | |
| 200 | 219.1 | 108 | 159 | 533 | |
| 250 | 273,1 | 121 | 197 | | |
| 300 | 323.9 | 133 | 205 | | |
| 350 | 355.6 | 184 | 319 | | |

45° Short Pulled Bend

5°, 10°, 15° and 22.5° Shouldered Elbows

Unit mm

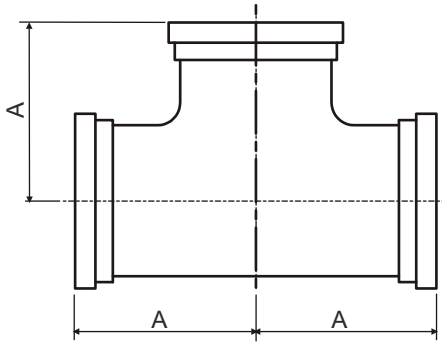


| Nominal Size DN | Pipe OD mm | A 5° | B 10° | C 15° | D 22.5° |
|-----------------|------------|------|-------|-------|---------|
| 50 | 60.3 | 72 | 72 | 82 | 102 |
| 80 | 88.9 | 76 | 76 | 88 | 114 |
| 100 | 114,3 | 87 | 87 | 101 | 120 |
| 150 | 168.3 | 97 | 97 | 107 | 162 |
| 200 | 219.1 | 127 | 127 | 126 | 191 |
| 250 | 273,1 | 191 | 191 | - | 210 |
| 300 | 323.9 | 225 | 225 | 240 | 235 |
| 350 | 355.6 | 225 | 225 | 240 | 260 |

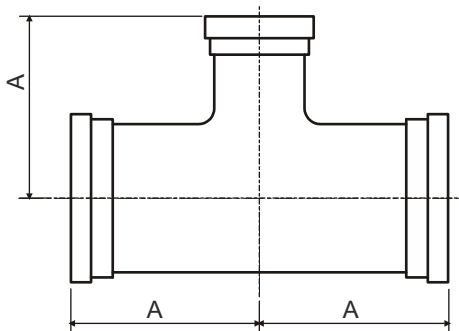
VEROFLO SHOULDERED TEES

Shouldered Tees

Unit mm



Shouldered Equal Tee

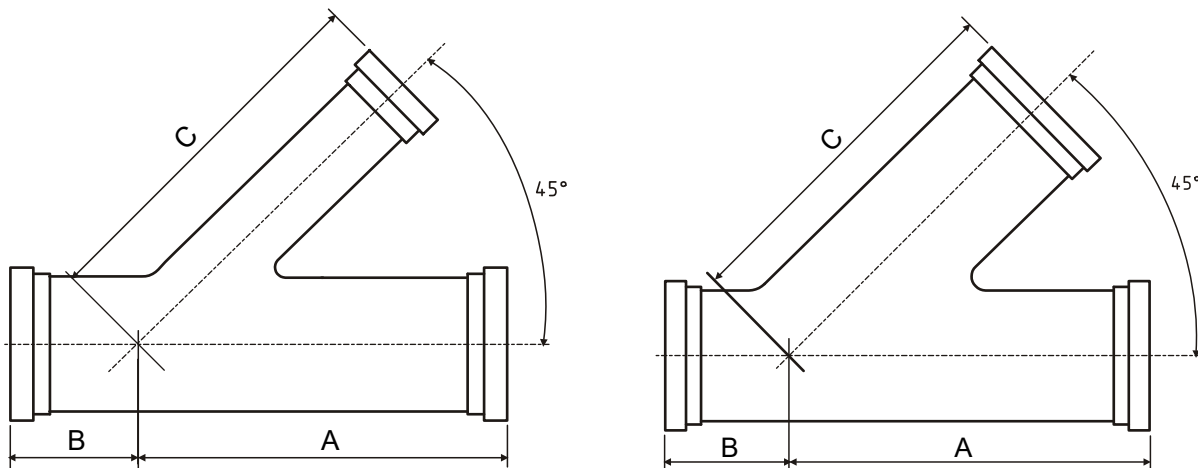


Shouldered Tee

| Nom. Size Pipe Run DN | Tee Run OD | Nom. Size Tee Branch DN | Tee Branch OD | A |
|-----------------------|------------|-------------------------|---------------|------|
| 50 | 60.3 | 50 | 60.3 | 86.5 |
| | | 80 | 88.9 | 108 |
| 80 | 114.3 | 50 | 60.3 | 133 |
| | | 80 | 88.9 | 133 |
| | | 100 | 114.3 | 133 |
| 100 | 168.3 | 50 | 60.3 | 165 |
| | | 80 | 88.9 | 165 |
| | | 100 | 114.3 | 165 |
| | | 150 | 168.3 | 165 |
| 150 | 219.1 | 80 | 88.9 | 210 |
| | | 100 | 114.3 | 210 |
| | | 150 | 168.3 | 210 |
| | | 200 | 219.1 | 210 |
| 200 | 273.1 | 50 | 60.3 | 267 |
| | | 80 | 88.9 | 267 |
| | | 100 | 114.3 | 267 |
| | | 150 | 168.3 | 267 |
| | | 200 | 219.1 | 267 |
| 250 | 323.9 | 250 | 273.1 | 267 |
| | | 50 | 60.3 | 265 |
| | | 150 | 168.3 | 265 |
| | | 300 | 323.9 | 265 |
| | | 350 | 355.6 | 280 |
| 300 | 355.6 | 100 | 114.3 | 280 |
| | | 250 | 273.1 | 280 |
| | | 350 | 355.6 | 280 |

VEROFLO SHOULDERED LATERAL TEES

45° Equal and Unequal Shouldered Lateral Tees

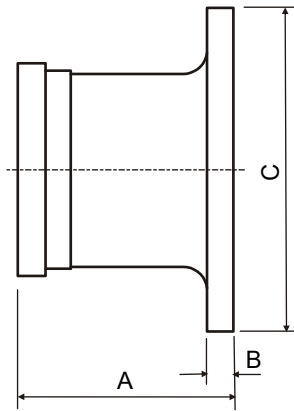


Unit mm

| Nom. Size Pipe Run DN | Tee Run OD | Nom. Size Tee Branch DN | Tee Branch OD | A | B | C |
|-----------------------|------------|-------------------------|---------------|-----|-----|-----|
| 50 | 60.3 | 50 | 60.3 | 203 | 76 | 203 |
| | | 80 | 88.9 | 216 | 63 | 203 |
| 100 | 114.3 | 50 | 60.3 | 242 | 51 | 229 |
| | | 80 | 88.9 | 254 | 64 | 241 |
| | | 100 | 114.3 | 302 | 104 | 302 |
| 150 | 168.3 | 50 | 60.3 | 279 | 51 | 254 |
| | | 80 | 88.9 | 292 | 64 | 279 |
| | | 100 | 114.3 | 330 | 76 | 305 |
| | | 150 | 168.3 | 381 | 114 | 381 |
| 200 | 219.1 | 50 | 60.3 | 343 | 13 | 330 |
| | | 80 | 88.9 | 356 | 50 | 381 |
| | | 100 | 114.3 | 406 | 51 | 406 |
| | | 150 | 168.3 | 432 | 76 | 457 |
| | | 200 | 219.1 | 483 | 177 | 483 |
| 250 | 273.1 | 200 | 219.1 | 508 | 152 | 489 |
| | | 250 | 273.1 | 546 | 191 | 546 |
| 300 | 323.9 | 300 | 323.9 | 760 | 155 | 760 |
| 350 | 355.6 | 100 | 114,3 | 553 | 85 | 557 |
| | | 200 | 219.1 | 610 | 142 | 610 |
| | | 350 | 355.6 | 840 | 180 | 840 |

VEROFLO SHOULDERED FLANGED ADAPTOR

Shouldered to Flanged Adaptor

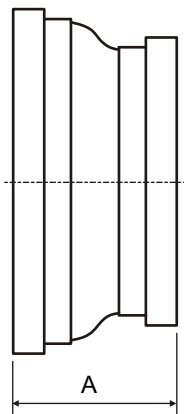


Unit mm

| Nominal Size DN | Pipe OD | A | B | C |
|-----------------|---------|-----|----|-----|
| 50 | 60.3 | 83 | 12 | 165 |
| 80 | 88.9 | 102 | 14 | 200 |
| 100 | 114.3 | 127 | 14 | 220 |
| 150 | 168.3 | 127 | 18 | 285 |
| 200 | 219.1 | 127 | 22 | 340 |
| 250 | 273.1 | 127 | 24 | 405 |
| 300 | 323.9 | 127 | 28 | 460 |
| 350 | 355.6 | 127 | 30 | 520 |

VEROFLO SHOULDERED REDUCER

Shouldered Reducer



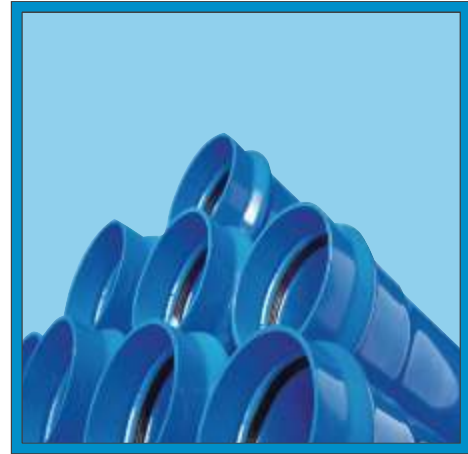
Unit mm

| Nom. Size Large Dia. DN | Large Dia OD | Nom. Size Small Dia. DN | Small Dia OD | A |
|-------------------------|--------------|-------------------------|--------------|-----|
| 100 | 114.3 | 50 | 60.3 | 64 |
| | | 80 | 88.9 | 76 |
| | | 100 | 114.3 | 76 |
| 200 | 219.1 | 100 | 114.3 | 76 |
| | | 150 | 168.3 | 76 |
| 250 | 273.1 | 150 | 168.3 | 102 |
| | | 200 | 219.1 | 102 |
| 300 | 323.9 | 100 | 114.3 | 102 |
| | | 200 | 219.1 | 102 |
| | | 250 | 273.1 | 102 |
| 350 | 355.6 | 100 | 114.3 | 102 |
| | | 150 | 168.3 | 102 |
| | | 250 | 273.1 | 102 |
| | | 300 | 323.9 | 102 |

TRUFLO is a designer, manufacturer and supplier of Pipe, Valves, Fittings and Couplings. Our products and services include:



KII Couplings Flange Adaptors and Dismantling Joints are 100% locally manufactured in sizes 40mm to 1600mm and for pressure ratings of up to PN40 as standard. We offer short lead times.



In addition to Ductile Iron Pipe, TRUFLO is a large distributor of PVC, HDPE and Steel Pipe in diameters up to 1000 NB. All pipe is supplied with associated Valves and Fittings.



TRUFLO is the manufacturer and supplier of the AirFlo range of air valves for Water and Sewer pipelines. Air Valves are manufactured in sizes DN25 to DN300 and for pressure ratings of up to PN100. AirFlo air valves have four functions as stand including automatic Surge protection.



TRUFLO manufactures the KII range of Double Offset Butterfly valves in sizes DN200 to DN1200 and for pressure ratings PN10 to PN40. Valves are available fusion bonded epoxy coated and in various trim options.



TRUFLO is the manufacturer and supplier of the CheckFlo range of Nozzle Check, Swing Check and Silent for Water pipelines. Check Valves are manufactured in sizes DN50 to DN1200 and for pressure ratings of up to PN100. CheckFlo valves have low headloss, are maintenance free and prevent Surge.



TRUFLO is one of the largest manufacturers of fabricated Steel fittings for Water and Wastewater pipelines. Our fittings are manufactured under the VeroFlo brand in sizes DN50 to DN 1600 and for pressure ratings of PN64 as standard. All fittings are fusion bonded epoxy coated as standard.

TRUFLO provides the most comprehensive, technical, logistical and after sales support in the industry. Try Us!