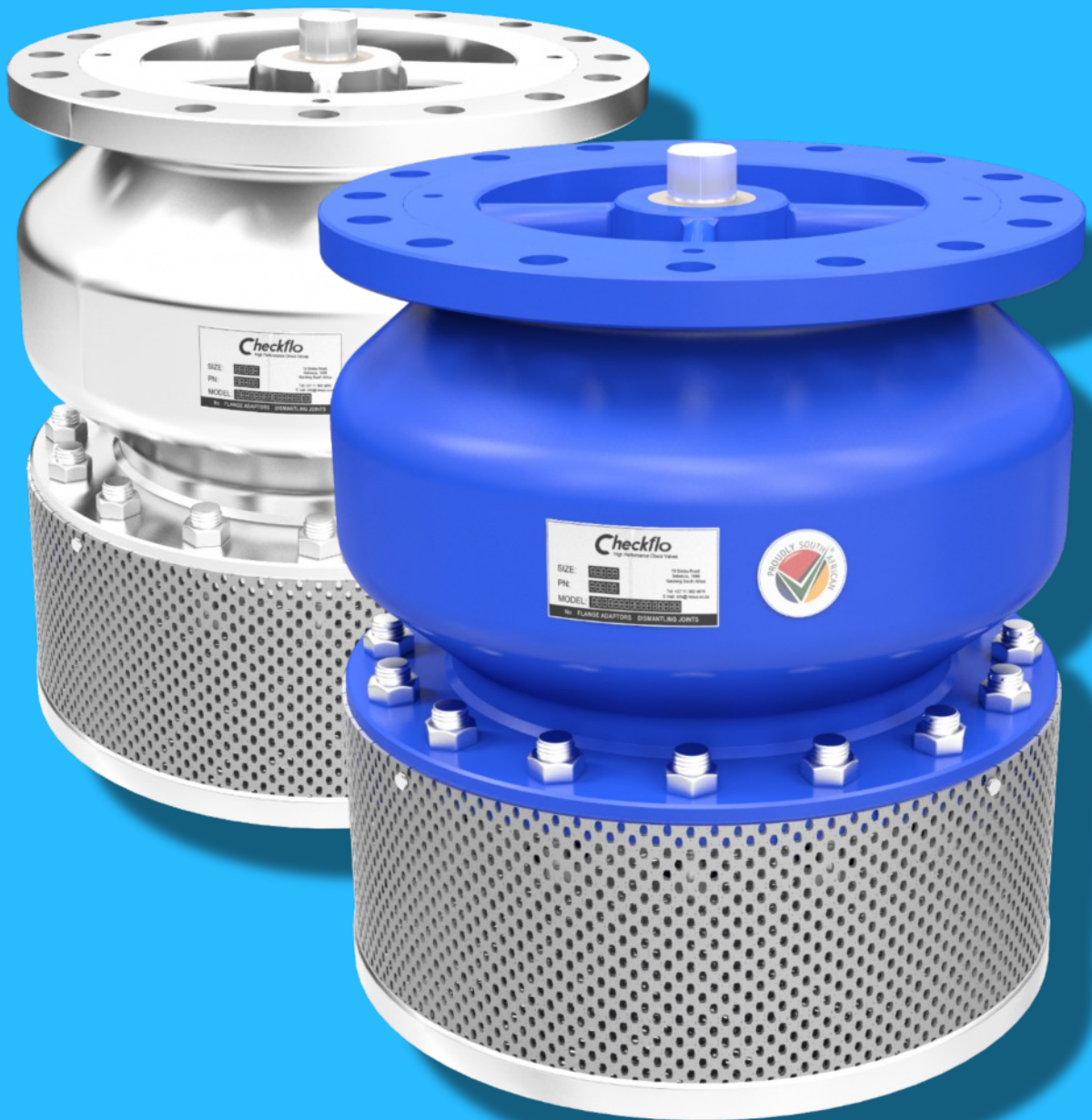


Checkflo

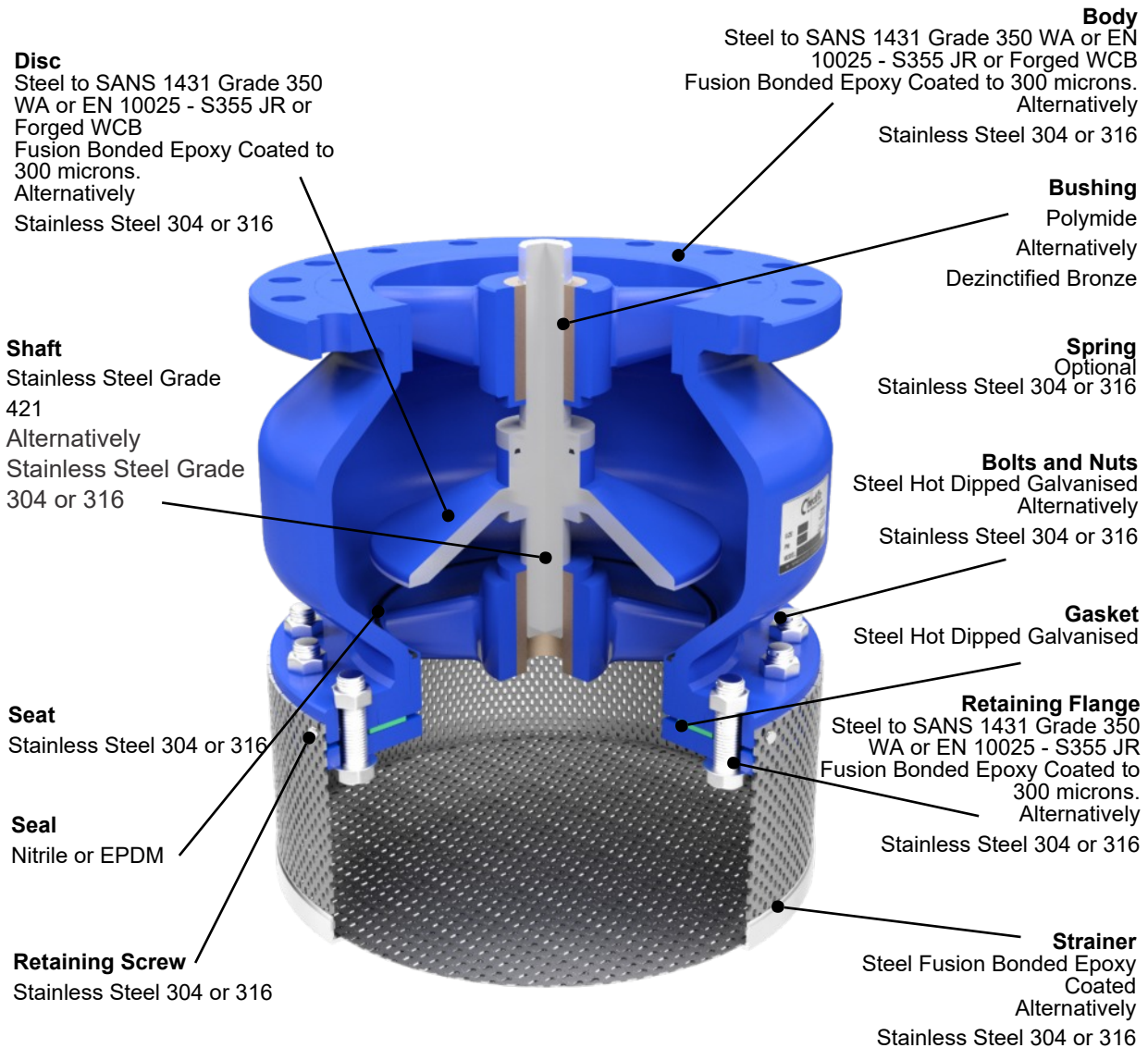


CheckFlo Foot Check Valves

High Performance Check Valves for Optimum Pipeline Performance

Checkflo FOOT CHECK VALVES

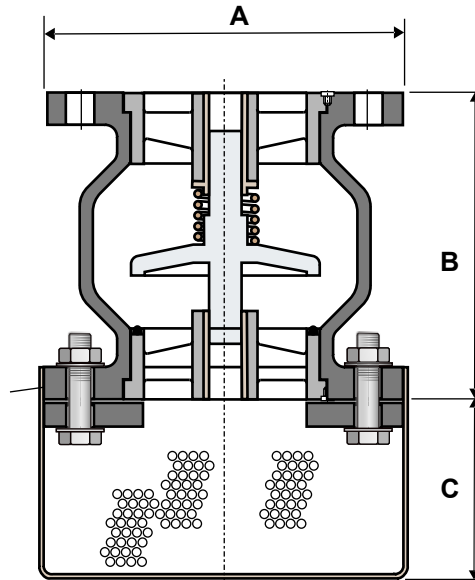
Series GBB Foot Check Valves Materials of Construction



Series GBB Foot Check Valves Features and Benefits

- **Low Headloss** - CheckFlo Foot Valve Strainers are designed so that the actual flow area is a minimum of three times the inlet size of the valve. In addition the disc is conically shaped to minimise open force requirements.
- **Maintenance free** – CheckFlo Foot Valves have only one moving part. In addition, the disc is fully guided thereby eliminating turbulence and vibrations and ensuring long service life.
- **Tight shutoff** – This is accomplished by a soft dynamic seat arrangement that requires minimal head to seal.
- **Technical support** – We provide assistance with all design decisions and can assist the design engineer with all valve and pipeline material selection criteria to ensure optimum pipeline performance and surge strategies.

<p>DESIGN TYPE Co Axial Foot Check Design</p> <p>ACCEPTABLE MEDIA Potable Water and Raw Water</p> <p>OPERATING PRESSURE RANGE PN 10, PN16, PN 25 - PN40 available on request</p> <p>OPERATING TEMPERATURE RANGE -5° TO 80°</p> <p>SIZE RANGE DN50 to DN600</p> <p>STANDARD FACTORY TESTS Seal/Seat Test 1.1 time PN; Body 1.5 times PN</p>	<p>MATERIALS OF CONSTRUCTION Body and Disc: Steel SJ355 Alternatively full S/Steel 304/316</p> <p>Shaft: S/Steel Gr. 304 or Gr. 316</p> <p>Bearing: Polyimide or Dezincified Bronze</p> <p>Screen: S/Steel Gr. 304 or 316 Alternatively Steel Epoxy Coated.</p> <p>Bolts and Nuts: S/Steel Gr. 304 or Gr. 316</p> <p>Seal: Soft EPDM Seal</p> <p>Seat: 316 Deposit Weld on request</p> <p>Spring: S/Steel Gr. 304 or Gr. 316</p> <p>Body and Disc are Fusion Bonded Epoxy Coated to 300 microns.</p> <p>END CONNECTIONS Flanged SABS 1123 or BS 4504 or EN 1092</p>
--	---



Valve DN50 to DN600 PN10 to PN25

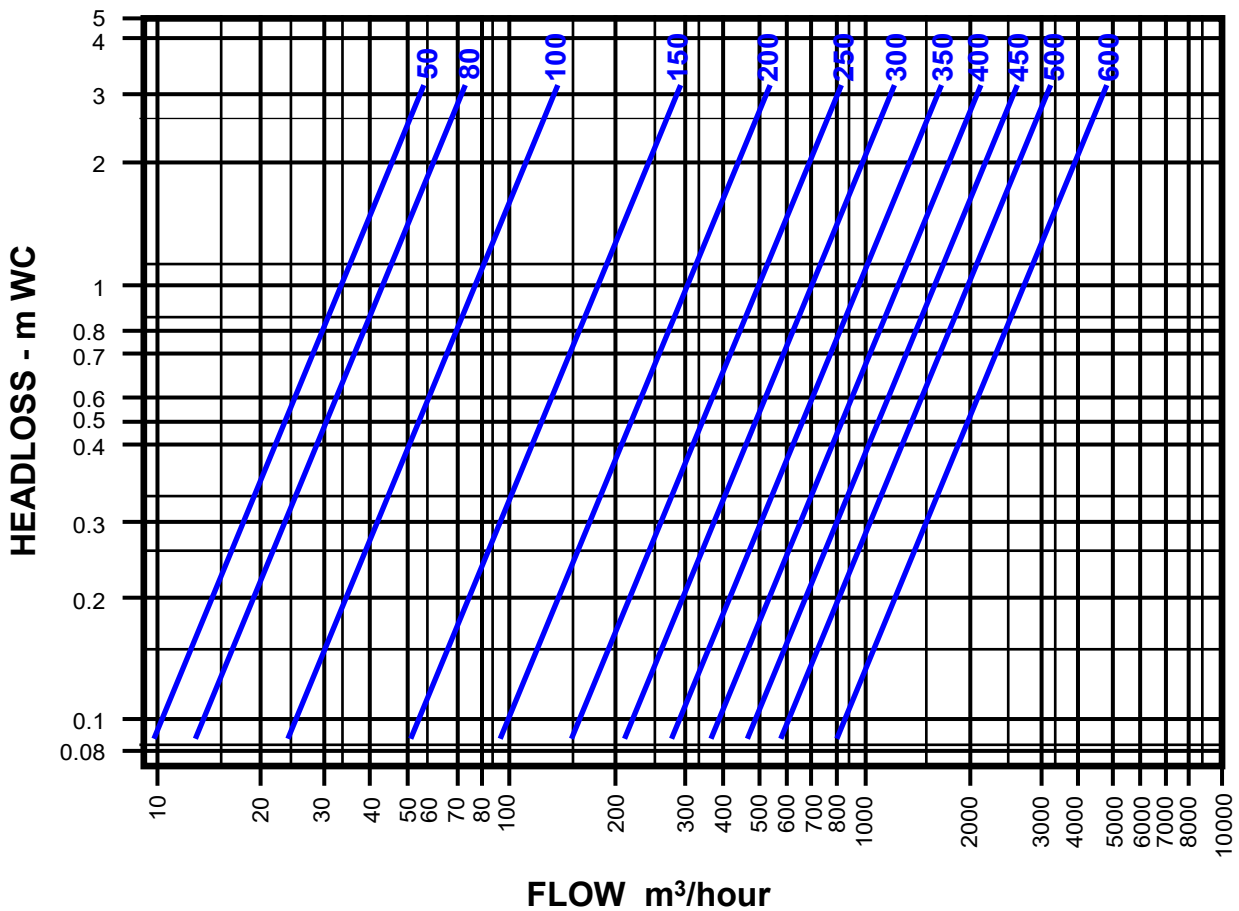
Size DN	A PN10	B PN10	A PN16	B PN16	A PN25	B PN25	C All Valves	Weight kg PN10	Weight kg PN16	Weight kg PN25
50	165	60	165	60	165	60	75	10	10	10
80	200	73	200	73	200	73	75	16	16	16
100	220	73	220	73	235	73	75	28	28	28
150	285	98	285	98	300	98	125	44	44	44
200	340	127	340	127	360	127	150	71	71	71
250	395	146	405	146	425	146	170	115	118	132
300	445	368	460	181	485	181	200	181	187	209
350	505	400	520	184	555	222	170	221	228	255
400	565	448	580	191	620	232	200	288	296	331
450	615	476	640	204	670	264	225	376	387	433
500	670	524	715	219	730	292	250	465	478	535
600	780	610	840	222	845	318	300	637	656	735

Why CheckFlo Foot Valves?

The CheckFlo range of Foot Valves are based on our high performance, maintenance free Silent Check Valve designs combined with a rugged high quality Strainer to suit all applications. The benefits of utilising a CheckFlo Foot Valve are:

- **Maintenance Free Performance** - CheckFlo Foot Valves have only one moving part with a linear stroke and all stainless steel sealing surfaces ensuring maintenance free performance.
- **Full Flow Area** - CheckFlo Silent Check Valves have an inlet and outlet port and annular flow area that is equal to or greater than the nominal bore of the valves.
- **Unique Seating Design** - Our soft sealing option provides positive shut-off at all pressure ranges without additional loading on the seal.
- **Heavy Duty Stainless Steel Strainer** - The strainer is of a robust design with with a flow area three to four times that of the nominal size of the valve.
- **Non Slam Operation** - The design of the disc ensures stability under low flow conditions. This combined with the linear closing characteristics and the short stroke of the disc ensures a non slam and silent operation of the valve under all operating conditions.

CheckFlo Foot Valve Headloss Characteristics



Size DN	50	80	100	150	200	250	300	350	400	450	500	600
Kv	76	134	240	540	964	1530	2162	2940	3804	4842	5966	8646
ζ	1,7	3,6	2,8	2,8	2,7	2,7	2,8	2,8	2,8	2,8	2,8	2,8

We Offer:

The CheckFlo Series AGB Foot Valve design that consists of a Silent Check Valve with one moving part and a linear closing characteristic to prevent waterhammer upon closure and minimise maintenance requirements. The Check Valve is combined with a Strainer that has been optimally sized to prevent any restrictions in water flow.

Design

The valve design shall incorporate a spring loaded Disc that is centrally guided with a short linear stroke that generates flow in the fully open position, equal to or larger than the nominal size of the valve. The opening pressure for the standard valve design shall be less than 0.03 bar. Valves can be provided with an opening pressure determined by the client. The Disc for sizes larger than DN350 shall be concave to the flow direction, providing for disc stabilisation, maximum strength, and a minimum flow velocity to open the valve. The valve Disc shall have a smooth seating surface and the Seal shall be a soft seat to ensure positive seating at all pressures.

Materials of Construction

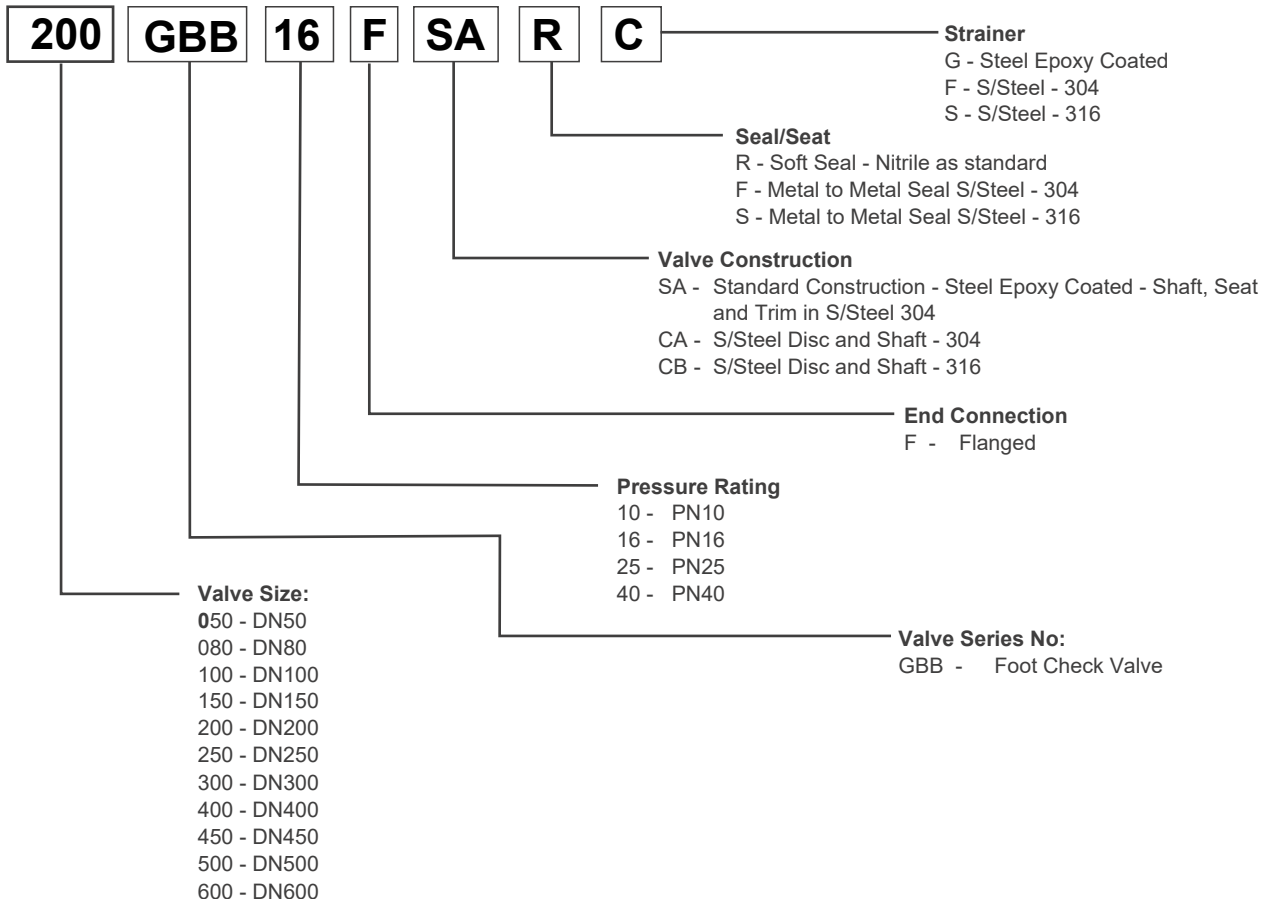
The Valve Body and Disc shall be manufactured in Steel grade SJ355 as standard. The Disc shall, as an option, be available in Stainless Steel Grade 304 or 316. The Spring shall be manufactured in either Stainless Steel 304 or 316. The Valve Seal as standard shall be a dynamic Nitrile seal. Alternatively, the seal shall be provided in a Stainless Steel metal to metal seat. The Valve Shaft shall be either in Stainless Steel Gr. 304 or 316. Valve Bearing shall be Polymide as standard or Dezincified Bronze on request. All Bolts, Nuts and additional trim shall be in Stainless Steel 304 or 316. The Valve Strainer shall either be manufactured in SJ355 Steel, Fusion Bonded Epoxy Coated or, Stainless Steel 304 or 316. The Valve Disc and Body shall be Fusion Bonded Epoxy Coated to 300 microns as standard.

End Connection

The End Connection of the valve shall be Flat faced flanges in accordance to SABS 1123 specifications or alternatively BS 4504 or EN 1092 specifications.

Testing

The valve's Body shall be hydrostatically tested to 1.5 times the Valve's rated working pressure and the entire assembly shall be tested to 1.1 times the valve rated pressure.



TRUFLO is a designer, manufacturer and supplier of Pipe, Valves, Fittings and Couplings. Our products and services include:



KII Couplings Flange Adaptors and Dismantling Joints are 100% locally manufactured in sizes 40mm to 1600mm and for pressure ratings of up to PN40 as standard. We offer short lead times



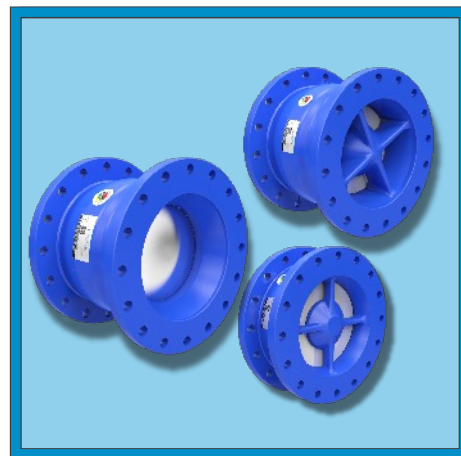
In addition to Ductile Iron Pipe, TruFlo is a large distributor of PVC, HDPE and Steel Pipe in diameters up to 1000 NB. All pipe is supplied with associated Valves and Fittings



TRUFLO is the manufacturer and supplier of the AirFlo range of air valves for Water and Sewer pipelines. Air Valves are manufactured in sizes DN25 to DN300 and for pressure ratings of up to PN100. AirFlo air valves have four functions as stand including automatic Surge protection



TRUFLO manufactures Double Offset Butterfly valves in sizes DN200 to DN1200 and for pressure ratings PN10 to PN40. Valves are available fusion bonded epoxy coated and in various trim options.



TRUFLO is the manufacturer and supplier of the CheckFlo range of Nozzle Check, Swing Check and Silent for Water pipelines. Check Valves are manufactured in sizes DN50 to DN1200 and for pressure ratings of up to PN100. CheckFlo valves have low headloss, are maintenance free and prevent Surge.



TRUFLO is one of the largest manufactures of fabricated Steel fittings for Water and Wastewater pipelines. Our fittings are manufactured under the VeroFlo brand in sizes DN50 to DN 1600 and for pressure ratings of PN64 as standard. All fittings are fusion bonded epoxy coated as standard.

TRUFLO provides the most comprehensive, technical, logistical and after sales support in the industry. Try Us!